

PARTS MANUAL

00. MAINTENANCE

FILTERS KIT



FIGURE	REFERENCE	DENOMINATION	AMOUNT
001	KF.67100.00	FILTERS KIT D350/400 AHG STAGE V	1
001	KF.67100.00	FILTERS KIT D350/400 AHG STAGE V	1
001	KF.67100.00	FILTERS KIT D350/400 AHG STAGE V	1
001	KF.67100.00	FILTERS KIT D350/400 AHG STAGE V	1
001	KF.67100.00	FILTERS KIT D350/400 AHG STAGE V	1
001	KF.67100.00	FILTERS KIT D350/400 AHG STAGE V	1
001	KF.67100.00	FILTERS KIT D350/400 AHG STAGE V	1
001	KF.67100.00	FILTERS KIT D350/400 AHG STAGE V	1
001	KF.67100.00	FILTERS KIT D350/400 AHG STAGE V	1
001	KF.67100.00	FILTERS KIT D350/400 AHG STAGE V	1
001.1	MN000027	OIL FILTER, CARTRIDGE	1
001.2	KUHH1J043172	FUEL FILTER CARTRIDGE	1
001.3	DN000005		1
001.4	DN000006		1
001.5	60.20100.00	FILTER ELEMENT	1
001.6	58.01810.00	HIDRAULIC CATRIDGE INTANK	1

02. ENGINE

KUBOTA ENGINE

- ① MOTOR DIESEL KUBOTA D1803-CR-T-E5B /
DIESEL ENGINE KUBOTA D1803-CR-T-E5B

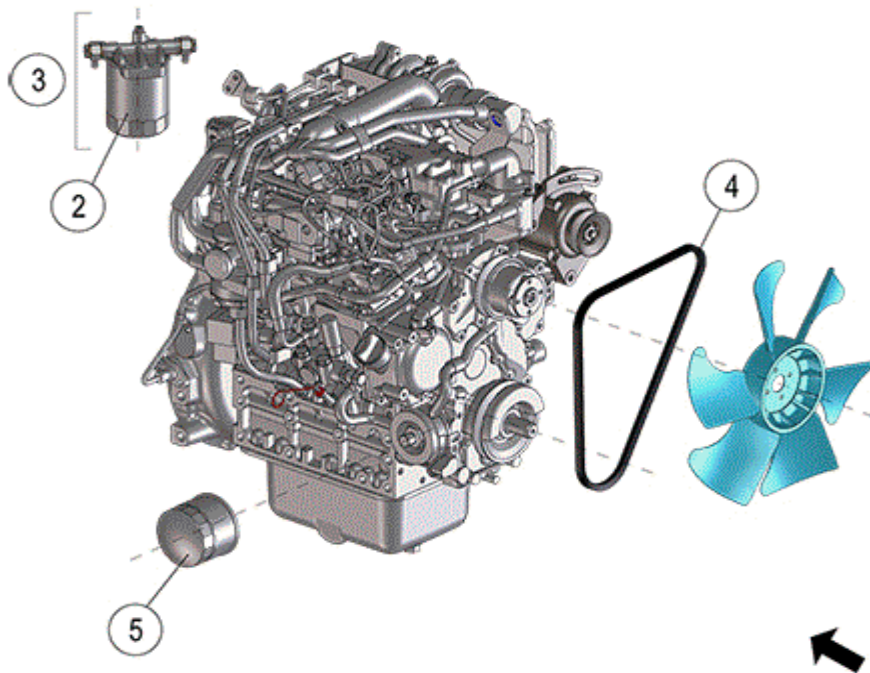


FIGURE	REFERENCE	DENOMINATION	AMOUNT
001	67.02160.00	DIESEL ENGINE KUBOTA D1803-CR-T-E5B	1
002	KUHH1J043172	FUEL FILTER CARTRIDGE	1
003	KU1J45643012	FILTER FUEL OIL	1
004	KU1711297012	BELT	1
005	KU.10004.00	OIL FILTER	1

02. ENGINE EXHAUST PIPE

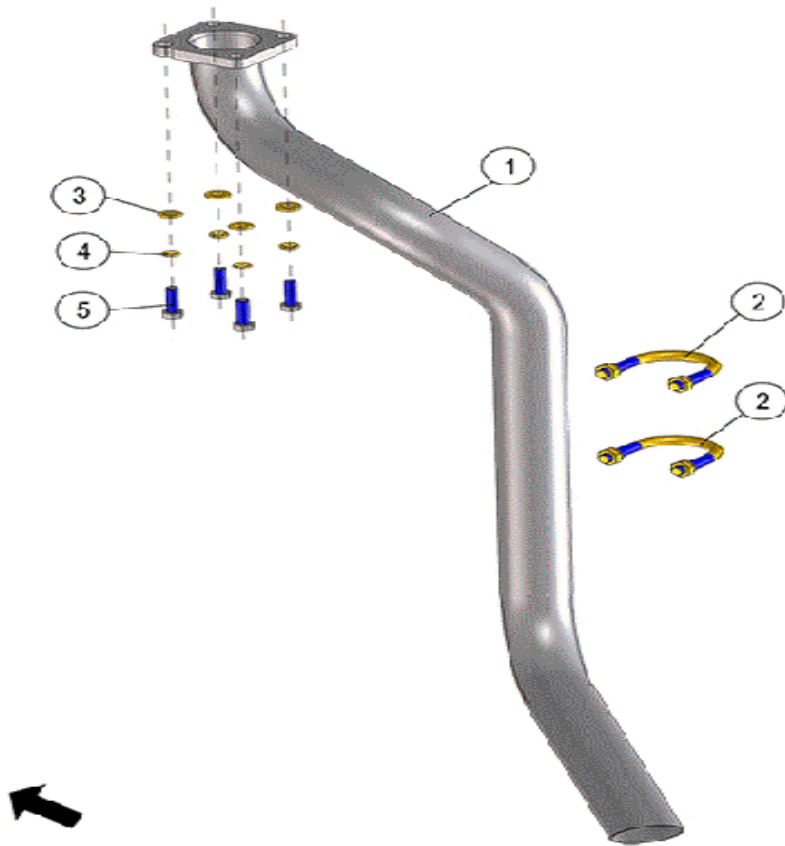


FIGURE	REFERENCE	DENOMINATION	AMOUNT
001	67.02222.00	EXHAUST PIPE	1
001	67.02222.00	EXHAUST PIPE	1
001	67.02222.00	EXHAUST PIPE	1
002	928.51000.66	HOSE CLAMP Ø51	2
002	928.51000.66	HOSE CLAMP Ø51	2
002	928.51000.66	HOSE CLAMP Ø51	2
003	101.08000.66	WASHER DIN125 D8	4
003	101.08000.66	WASHER DIN125 D8	4
003	101.08000.66	WASHER DIN125 D8	4
004	104.08000.00	WASHER DIN7980 D8	4
004	104.08000.00	WASHER DIN7980 D8	4
004	104.08000.00	WASHER DIN7980 D8	4
005	603.08025.86	SCREW DIN933 M8x25	4
005	603.08025.86	SCREW DIN933 M8x25	4
005	603.08025.86	SCREW DIN933 M8x25	4

02. ENGINE INLET

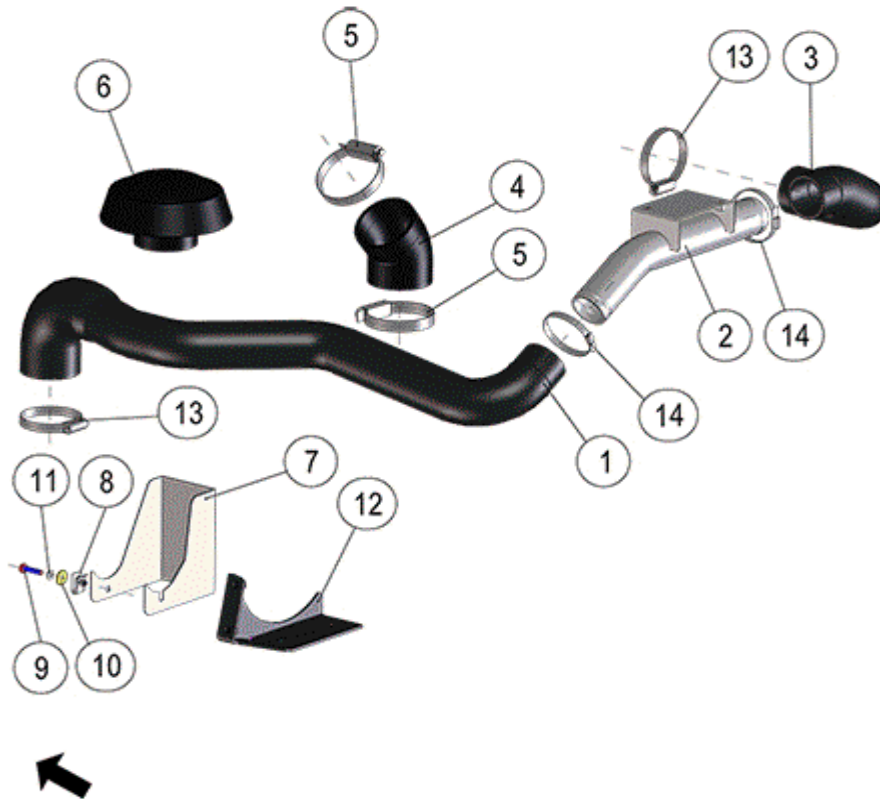


FIGURE	REFERENCE	DENOMINATION	AMOUNT
001	67.02303.00	ADMISSION TUBE D69XD59XD58XD48	1
001	67.02303.00	ADMISSION TUBE D69XD59XD58XD48	1
001	67.02303.00	ADMISSION TUBE D69XD59XD58XD48	1
002	67.02302.00	PIPE DISTRIBUTOR KIT	1
002	67.02302.00	PIPE DISTRIBUTOR KIT	1
002	67.02302.00	PIPE DISTRIBUTOR KIT	1
003	67.02306.00	SUCTION TUBE	1
003	67.02306.00	SUCTION TUBE	1
003	67.02306.00	SUCTION TUBE	1
004	67.02304.00	ADMISSION TUBE D74xD64	1
004	67.02304.00	ADMISSION TUBE D74xD64	1
004	67.02304.00	ADMISSION TUBE D74xD64	1
005	912.60080.66	CLAMP	3
005	912.60080.66	CLAMP	3
005	912.60080.66	CLAMP	3
006	67.02305.00	AIR FILTER PROTECTOR	1
006	67.02305.00	AIR FILTER PROTECTOR	1
006	67.02305.00	AIR FILTER PROTECTOR	1

02. ENGINE INLET

FIGURE	REFERENCE	DENOMINATION	AMOUNT
007	67.02308.00	THERMIC PROT. MAF SENSOR 130x127x81x2	1
007	67.02308.00	THERMIC PROT. MAF SENSOR 130x127x81x2	1
007	67.02308.00	THERMIC PROT. MAF SENSOR 130x127x81x2	1
008	727.06004.86	CAGED NUT M6x4	1
008	727.06004.86	CAGED NUT M6x4	1
008	727.06004.86	CAGED NUT M6x4	1
009	830.01806.00	CLAMP LOOP	2
009	830.01806.00	CLAMP LOOP	2
009	830.01806.00	CLAMP LOOP	2
010	112.06000.66	WASHER DIN9021 D6	1
010	112.06000.66	WASHER DIN9021 D6	1
010	112.06000.66	WASHER DIN9021 D6	1
011	104.06000.00	WASHER DIN7980 D6	1
011	104.06000.00	WASHER DIN7980 D6	1
011	104.06000.00	WASHER DIN7980 D6	1
012	67.02310.00	AIR FILTER SUPPORT	1
012	67.02310.00	AIR FILTER SUPPORT	1
012	67.02310.00	AIR FILTER SUPPORT	1
013	912.50070.60	CLAMP	2
013	912.50070.60	CLAMP	2
013	912.50070.60	CLAMP	2
014	912.40060.66	CLAMP D40-60	2
014	912.40060.66	CLAMP D40-60	2
014	912.40060.66	CLAMP D40-60	2

02. ENGINE DELIVERY

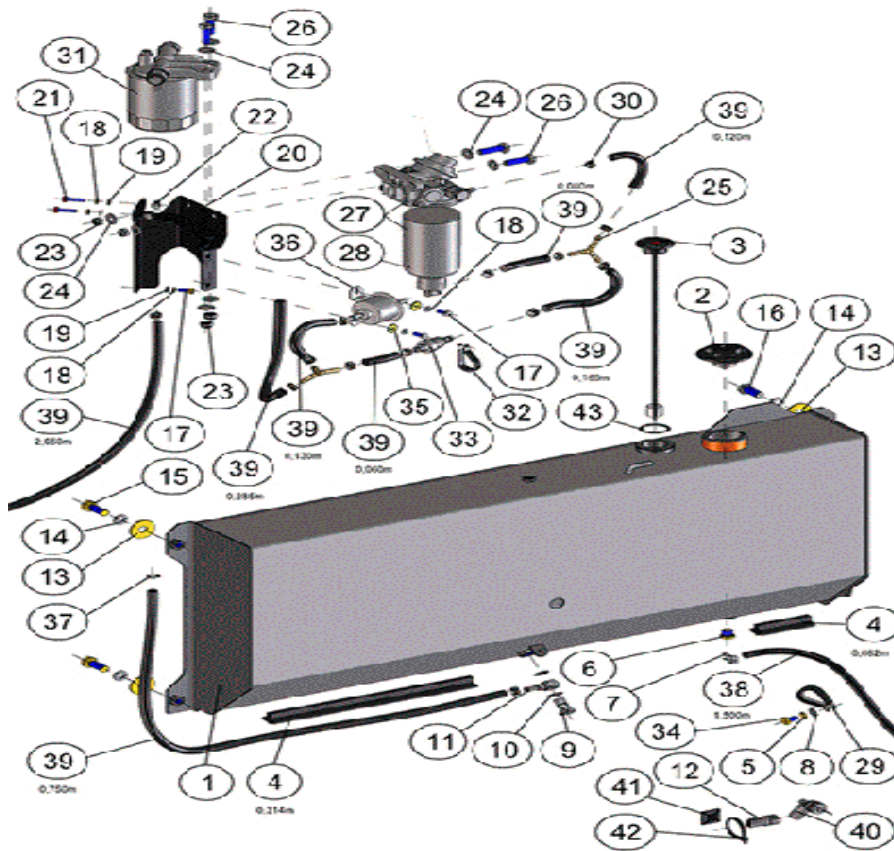


FIGURE	REFERENCE	DENOMINATION	AMOUNT
001	67.02111.00	OIL TANK 43.8 WITH SENSOR	1
001	67.02111.00	OIL TANK 43.8 WITH SENSOR	1
001	67.02111.00	OIL TANK 43.8 WITH SENSOR	1
002	12.12024.00	FUEL CAP 40X72	1
002	12.12024.00	FUEL CAP 40X72	1
002	12.12024.00	FUEL CAP 40X72	1
003	65.02412.00	LEVEL, NEEDLE FUEL	1
003	65.02412.00	LEVEL, NEEDLE FUEL	1
003	65.02412.00	LEVEL, NEEDLE FUEL	1
004	472.00411.00	RUBBER PROFILE MAT.	2
004	472.00411.00	RUBBER PROFILE MAT.	2
004	472.00411.00	RUBBER PROFILE MAT.	2
005	104.08000.00	WASHER DIN7980 D8	2
005	104.08000.00	WASHER DIN7980 D8	2
005	104.08000.00	WASHER DIN7980 D8	2
006	67.02401.00	CAP	1
006	67.02401.00	CAP	1
006	67.02401.00	CAP	1

02. ENGINE DELIVERY

FIGURE	REFERENCE	DENOMINATION	AMOUNT
007	948.00907.00	CLAMP SPRING D9	1
007	948.00907.00	CLAMP SPRING D9	1
007	948.00907.00	CLAMP SPRING D9	1
008	101.08000.66	WASHER DIN125 D8	2
008	101.08000.66	WASHER DIN125 D8	2
008	101.08000.66	WASHER DIN125 D8	2
009	52.00110.00	NIPPLE SCREW SIM.	1
009	52.00110.00	NIPPLE SCREW SIM.	1
009	52.00110.00	NIPPLE SCREW SIM.	1
010	107.14000.10	WASHER AL 14x20x1.5	2
010	107.14000.10	WASHER AL 14x20x1.5	2
010	107.14000.10	WASHER AL 14x20x1.5	2
011	45.04106.00	NIPPLE O/TB	1
011	45.04106.00	NIPPLE O/TB	1
011	45.04106.00	NIPPLE O/TB	1
012	46.11033.00		1
012	46.11033.00		1
012	46.11033.00		1
013	112.12000.66	WASHER DIN9021 D 12X36	4
013	112.12000.66	WASHER DIN9021 D 12X36	4
013	112.12000.66	WASHER DIN9021 D 12X36	4
014	105.12000.66	WASHER DIN7980 D12	4
014	105.12000.66	WASHER DIN7980 D12	4
014	105.12000.66	WASHER DIN7980 D12	4
015	604.12035.86	SCREW DIN931 M12x35	2
015	604.12035.86	SCREW DIN931 M12x35	2
015	604.12035.86	SCREW DIN931 M12x35	2
016	604.12030.86	SCREW DIN931	2
016	604.12030.86	SCREW DIN931	2
016	604.12030.86	SCREW DIN931	2
017	603.06015.86	SCREW DIN933 M6x15	3
017	603.06015.86	SCREW DIN933 M6x15	3
017	603.06015.86	SCREW DIN933 M6x15	3
018	105.06000.66	CIR-CLIP DIN7980	5
018	105.06000.66	CIR-CLIP DIN7980	5
018	105.06000.66	CIR-CLIP DIN7980	5

02. ENGINE DELIVERY

FIGURE	REFERENCE	DENOMINATION	AMOUNT
019	101.06000.66	WASHER DIN125 D6	1
019	101.06000.66	WASHER DIN125 D6	1
019	101.06000.66	WASHER DIN125 D6	1
020	67.02112.00	FUEL FILTERS ATTACHMENT SUPPORT	1
020	67.02112.00	FUEL FILTERS ATTACHMENT SUPPORT	1
020	67.02112.00	FUEL FILTERS ATTACHMENT SUPPORT	1
021	603.06025.86	SCREW DIN933 M6x25	2
021	603.06025.86	SCREW DIN933 M6x25	2
021	603.06025.86	SCREW DIN933 M6x25	2
022	726.06003.66	CAGED NUT M6x3	2
022	726.06003.66	CAGED NUT M6x3	2
022	726.06003.66	CAGED NUT M6x3	2
023	711.10000.66	SHOCK ABSORBER	4
023	711.10000.66	SHOCK ABSORBER	4
023	711.10000.66	SHOCK ABSORBER	4
024	101.10000.66	WASHER DIN125 D10	8
024	101.10000.66	WASHER DIN125 D10	8
024	101.10000.66	WASHER DIN125 D10	8
025	010.00008.30	FITTING. Y D8-D8-D8	2
025	010.00008.30	FITTING. Y D8-D8-D8	2
025	010.00008.30	FITTING. Y D8-D8-D8	2
026	603.10035.86	SCREW DIN933 M10x35	4
026	603.10035.86	SCREW DIN933 M10x35	4
026	603.10035.86	SCREW DIN933 M10x35	4
027	KU1J43043350	ASSEMBLY FILTER SEPARATOR	1
027	KU1J43043350	ASSEMBLY FILTER SEPARATOR	1
027	KU1J43043350	ASSEMBLY FILTER SEPARATOR	1
028	KU1J43043060	FILTRER ELEMENT	1
028	KU1J43043060	FILTRER ELEMENT	1
028	KU1J43043060	FILTRER ELEMENT	1
029	830.02508.00	CLAMP TIE D25x8	2
029	830.02508.00	CLAMP TIE D25x8	2
029	830.02508.00	CLAMP TIE D25x8	2
030	948.01308.00	SPRING CLAMP Ø13	15
030	948.01308.00	SPRING CLAMP Ø13	15
030	948.01308.00	SPRING CLAMP Ø13	15

02. ENGINE DELIVERY

FIGURE	REFERENCE	DENOMINATION	AMOUNT
031	KU1J45643012	FILTER FUEL OIL	1
031	KU1J45643012	FILTER FUEL OIL	1
031	KU1J45643012	FILTER FUEL OIL	1
032	830.02506.00	CLAMP LOOP	1
032	830.02506.00	CLAMP LOOP	1
032	830.02506.00	CLAMP LOOP	1
033	KU1G91142462	FUEL CHECK VALVE	1
033	KU1G91142462	FUEL CHECK VALVE	1
033	KU1G91142462	FUEL CHECK VALVE	1
034	603.08015.86	SCREW DIN933 M8x15	2
034	603.08015.86	SCREW DIN933 M8x15	2
034	603.08015.86	SCREW DIN933 M8x15	2
035	112.06000.66	WASHER DIN9021 D6	2
035	112.06000.66	WASHER DIN9021 D6	2
035	112.06000.66	WASHER DIN9021 D6	2
036	KU1G63952031	ELECTRIC PUMP	1
036	KU1G63952031	ELECTRIC PUMP	1
036	KU1G63952031	ELECTRIC PUMP	1
037	912.08016.66	CLAMP DIN3017	11
037	912.08016.66	CLAMP DIN3017	11
037	912.08016.66	CLAMP DIN3017	11
038	469.03012.00	HOSE L/P MAT.	1
038	469.03012.00	HOSE L/P MAT.	1
038	469.03012.00	HOSE L/P MAT.	1
039	469.03014.00	HOSE L/P MAT. 8x14	1
039	469.03014.00	HOSE L/P MAT. 8x14	1
039	469.03014.00	HOSE L/P MAT. 8x14	1
040	43.70261.00	OIL LEVEL INDICATOR BUOY	1
040	43.70261.00	OIL LEVEL INDICATOR BUOY	1
040	43.70261.00	OIL LEVEL INDICATOR BUOY	1
041	66.11148.00		1
041	66.11148.00		1
041	66.11148.00		1
042	931.05370.00	CLAMP TAPE 5x370	1
042	931.05370.00	CLAMP TAPE 5x370	1
042	931.05370.00	CLAMP TAPE 5x370	1

02. ENGINE

DELIVERY

FIGURE	REFERENCE	DENOMINATION	AMOUNT
043	201.33035.50	O-RING DIN3770	1
043	201.33035.50	O-RING DIN3770	1
043	201.33035.50	O-RING DIN3770	1

02. ENGINE

RADIATOR (PART 1)

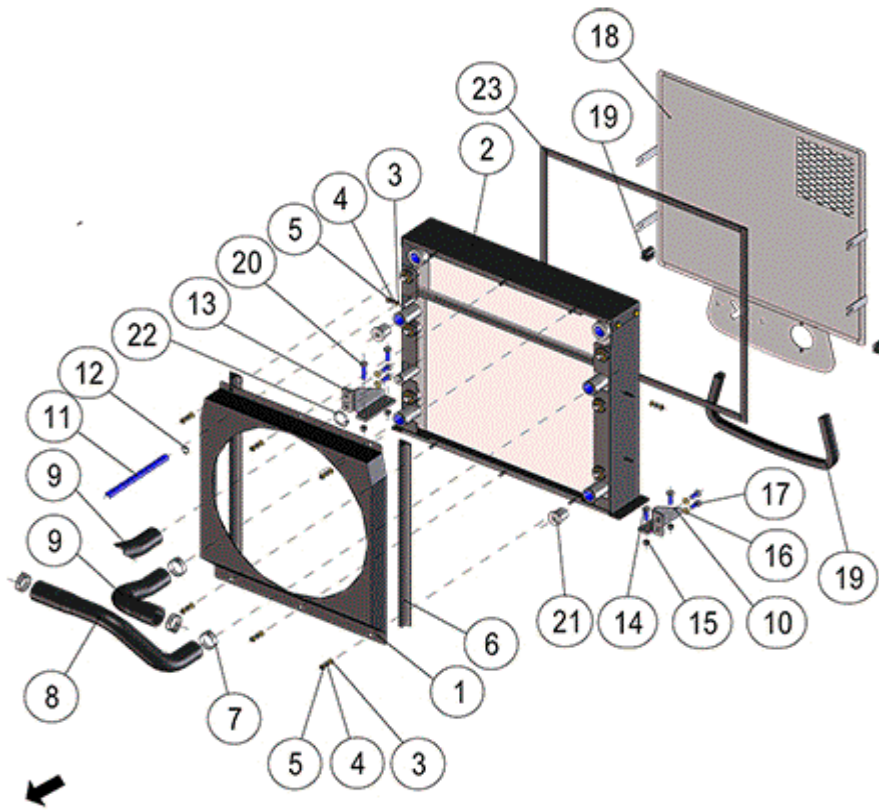


FIGURE	REFERENCE	DENOMINATION	AMOUNT
001	20.02052.00	GUARD RADIATOR	1
001	20.02052.00	GUARD RADIATOR	1
001	20.02052.00	GUARD RADIATOR	1
002	20.02051.02	RADIATOR 152X500X590 WATER-OIL	1
002	20.02051.02	RADIATOR 152X500X590 WATER-OIL	1
002	20.02051.02	RADIATOR 152X500X590 WATER-OIL	1
003	101.06000.66	WASHER DIN125 D6	8
003	101.06000.66	WASHER DIN125 D6	8
003	101.06000.66	WASHER DIN125 D6	8
004	105.06000.66	CIR-CLIP DIN7980	8
004	105.06000.66	CIR-CLIP DIN7980	8
004	105.06000.66	CIR-CLIP DIN7980	8
005	701.06000.66	NUT DIN934 M6X1	4
005	701.06000.66	NUT DIN934 M6X1	4
005	701.06000.66	NUT DIN934 M6X1	4
006	472.00411.00	RUBBER PROFILE MAT.	2
006	472.00411.00	RUBBER PROFILE MAT.	2
006	472.00411.00	RUBBER PROFILE MAT.	2

02. ENGINE

RADIATOR (PART 1)

FIGURE	REFERENCE	DENOMINATION	AMOUNT
007	912.32050.66	CLAMP DIN3017	4
007	912.32050.66	CLAMP DIN3017	4
007	912.32050.66	CLAMP DIN3017	4
008	67.02502.00	HOSE RUBBER B/P D30XD34	1
008	67.02502.00	HOSE RUBBER B/P D30XD34	1
008	67.02502.00	HOSE RUBBER B/P D30XD34	1
009	67.02501.00	HOSE RUBBER B/P D30XD34	1
009	67.02501.00	HOSE RUBBER B/P D30XD34	1
009	67.02501.00	HOSE RUBBER B/P D30XD34	1
010	67.02515.00	SUPPORT 102X64X62X5	1
010	67.02515.00	SUPPORT 102X64X62X5	1
010	67.02515.00	SUPPORT 102X64X62X5	1
011	469.01017.00	TUBE MAT.	1
011	469.01017.00	TUBE MAT.	1
011	469.01017.00	TUBE MAT.	1
012	912.08016.66	CLAMP DIN3017	1
012	912.08016.66	CLAMP DIN3017	1
012	912.08016.66	CLAMP DIN3017	1
013	67.02516.00	SUPPORT 102X64X62X5	1
013	67.02516.00	SUPPORT 102X64X62X5	1
013	67.02516.00	SUPPORT 102X64X62X5	1
014	603.08025.86	SCREW DIN933 M8x25	4
014	603.08025.86	SCREW DIN933 M8x25	4
014	603.08025.86	SCREW DIN933 M8x25	4
015	711.08000.66	NUT DIN982 M8	4
015	711.08000.66	NUT DIN982 M8	4
015	711.08000.66	NUT DIN982 M8	4
016	105.08000.66	CIR-CLIP EXT. DIN7980 D8	4
016	105.08000.66	CIR-CLIP EXT. DIN7980 D8	4
016	105.08000.66	CIR-CLIP EXT. DIN7980 D8	4
017	603.08020.86	SCREW DIN933 M8x20	4
017	603.08020.86	SCREW DIN933 M8x20	4
017	603.08020.86	SCREW DIN933 M8x20	4
018	67.02152.00	COVER	1
018	67.02152.00	COVER	1
018	67.02152.00	COVER	1

02. ENGINE

RADIATOR (PART 1)

FIGURE	REFERENCE	DENOMINATION	AMOUNT
019	472.00410.00	RUBBER PROFILE 22X22	1
019	472.00410.00	RUBBER PROFILE 22X22	1
019	472.00410.00	RUBBER PROFILE 22X22	1
020	603.08035.87	SCREW 8X35/1.25 DIN 933 INOX.A-2	1
020	603.08035.87	SCREW 8X35/1.25 DIN 933 INOX.A-2	1
020	603.08035.87	SCREW 8X35/1.25 DIN 933 INOX.A-2	1
021	43.70461.00	CAP	2
021	43.70461.00	CAP	2
021	43.70461.00	CAP	2
022	912.20032.00	CLAMP	1
022	912.20032.00	CLAMP	1
022	912.20032.00	CLAMP	1
023	472.04015.00	RUBBER PROFILE MAT.	1
023	472.04015.00	RUBBER PROFILE MAT.	1
023	472.04015.00	RUBBER PROFILE MAT.	1

02. ENGINE RADIATOR (PART 2)

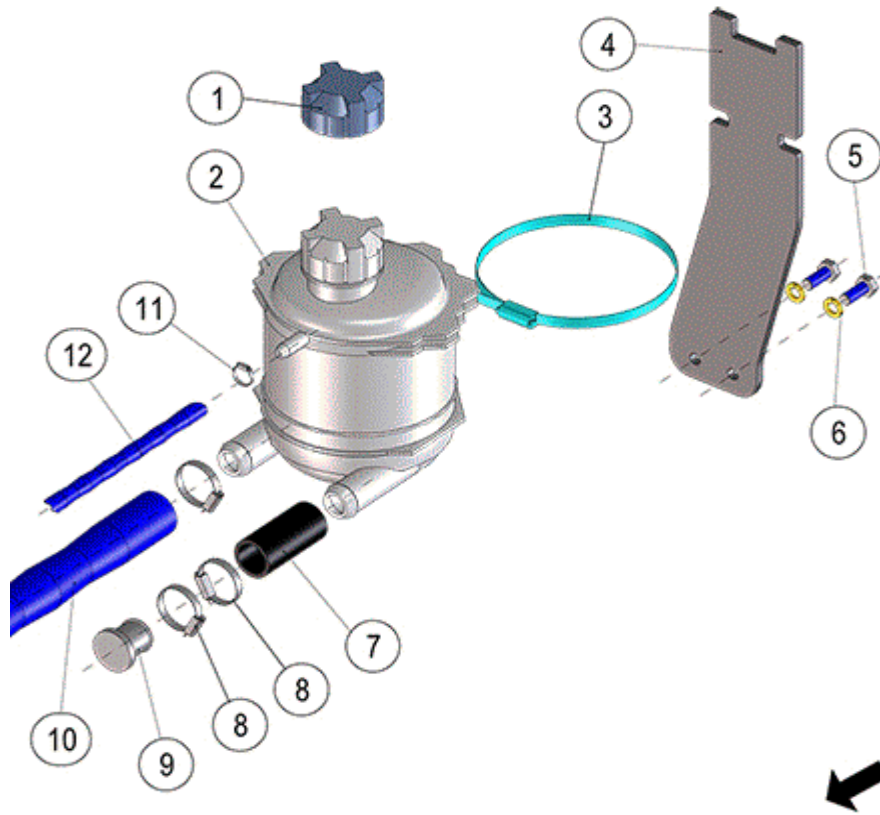


FIGURE	REFERENCE	DENOMINATION	AMOUNT
001	09.00172.00	CAP	1
001	09.00172.00	CAP	1
001	09.00172.00	CAP	1
002	09.00171.00	EXPANSION TANK C / PLUG	1
002	09.00171.00	EXPANSION TANK C / PLUG	1
002	09.00171.00	EXPANSION TANK C / PLUG	1
003	912.12140.66	CLAMP	1
003	912.12140.66	CLAMP	1
003	912.12140.66	CLAMP	1
004	65.02512.00	SUPPORT 227x117x108	1
004	65.02512.00	SUPPORT 227x117x108	1
004	65.02512.00	SUPPORT 227x117x108	1
005	603.08020.86	SCREW DIN933 M8x20	2
005	603.08020.86	SCREW DIN933 M8x20	2
005	603.08020.86	SCREW DIN933 M8x20	2
006	105.08000.66	CIR-CLIP EXT. DIN7980 D8	2
006	105.08000.66	CIR-CLIP EXT. DIN7980 D8	2
006	105.08000.66	CIR-CLIP EXT. DIN7980 D8	2

02. ENGINE

RADIATOR (PART 2)

FIGURE	REFERENCE	DENOMINATION	AMOUNT
007	09.00246.02	SLEEVE	1
007	09.00246.02	SLEEVE	1
007	09.00246.02	SLEEVE	1
008	912.20032.00	CLAMP	3
008	912.20032.00	CLAMP	3
008	912.20032.00	CLAMP	3
009	09.00246.01	CAP	1
009	09.00246.01	CAP	1
009	09.00246.01	CAP	1
010	65.00158.00	RUBBER HOSE B/P 25x35x450	1
010	65.00158.00	RUBBER HOSE B/P 25x35x450	1
010	65.00158.00	RUBBER HOSE B/P 25x35x450	1
011	912.08016.66	CLAMP DIN3017	1
011	912.08016.66	CLAMP DIN3017	1
011	912.08016.66	CLAMP DIN3017	1
012	469.01017.00	TUBE MAT.	1
012	469.01017.00	TUBE MAT.	1
012	469.01017.00	TUBE MAT.	1

02. ENGINE SUSPENSION

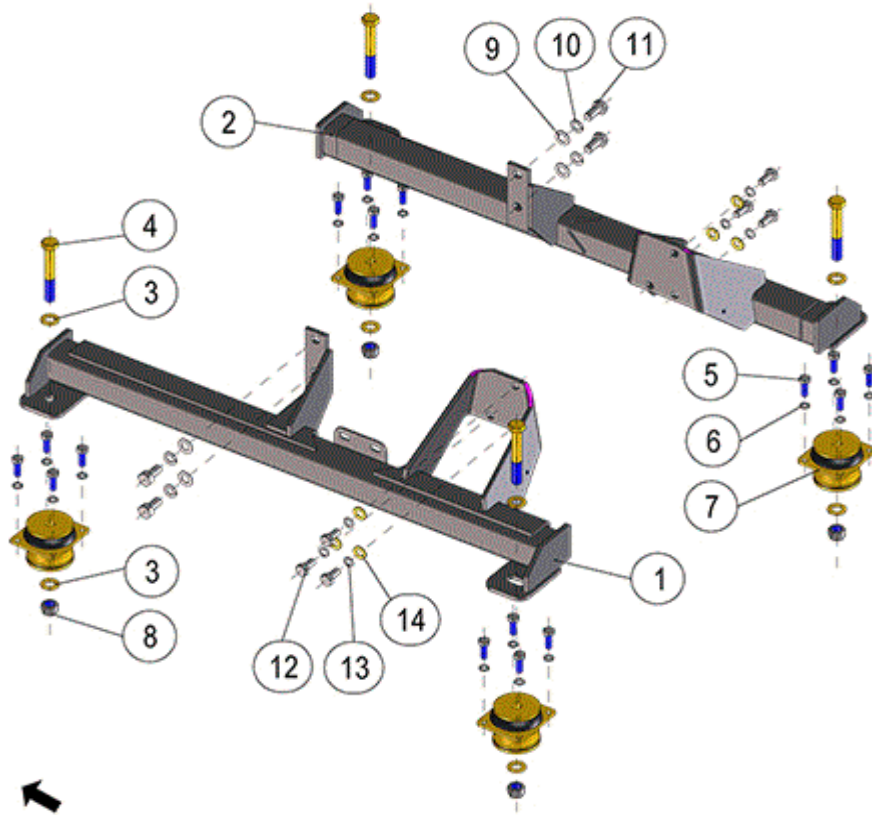


FIGURE	REFERENCE	DENOMINATION	AMOUNT
001	67.02123.00	LEFT ENGINE SUPPORT	1
001	67.02123.00	LEFT ENGINE SUPPORT	1
001	67.02123.00	LEFT ENGINE SUPPORT	1
002	67.02122.00	RIGHT ENGINE SUPPORT	1
002	67.02122.00	RIGHT ENGINE SUPPORT	1
002	67.02122.00	RIGHT ENGINE SUPPORT	1
003	101.16000.66	WASHER DIN125 D16	8
003	101.16000.66	WASHER DIN125 D16	8
003	101.16000.66	WASHER DIN125 D16	8
004	604.16110.86	SCREW DIN931 M16x110	4
004	604.16110.86	SCREW DIN931 M16x110	4
004	604.16110.86	SCREW DIN931 M16x110	4
005	603.10030.86	SCREW DIN933	16
005	603.10030.86	SCREW DIN933	16
005	603.10030.86	SCREW DIN933	16
006	104.10000.00	WASHER DIN7980 D10	16
006	104.10000.00	WASHER DIN7980 D10	16
006	104.10000.00	WASHER DIN7980 D10	16

02. ENGINE SUSPENSION

FIGURE	REFERENCE	DENOMINATION	AMOUNT
007	64.02123.01	SHOCK ABSORBER	4
007	64.02123.01	SHOCK ABSORBER	4
007	64.02123.01	SHOCK ABSORBER	4
008	711.16000.66	NUT DIN982 M16 8.8 K	4
008	711.16000.66	NUT DIN982 M16 8.8 K	4
008	711.16000.66	NUT DIN982 M16 8.8 K	4
009	101.14000.66	WASHER DIN125 D14	4
009	101.14000.66	WASHER DIN125 D14	4
009	101.14000.66	WASHER DIN125 D14	4
010	104.14000.00	CIR-CLIP EXT. DIN7980	4
010	104.14000.00	CIR-CLIP EXT. DIN7980	4
010	104.14000.00	CIR-CLIP EXT. DIN7980	4
011	617.14025.86	SCREW DIN931	4
011	617.14025.86	SCREW DIN931	4
011	617.14025.86	SCREW DIN931	4
012	101.12000.66	WASHER DIN125 D12	6
012	101.12000.66	WASHER DIN125 D12	6
012	101.12000.66	WASHER DIN125 D12	6
013	104.12000.66	CIR-CLIP EXT. D12	6
013	104.12000.66	CIR-CLIP EXT. D12	6
013	104.12000.66	CIR-CLIP EXT. D12	6
014	617.14025.86	SCREW DIN931	6
014	617.14025.86	SCREW DIN931	6
014	617.14025.86	SCREW DIN931	6

03. TRANSMISSION

HYDROSTATIC TRANSMISSION

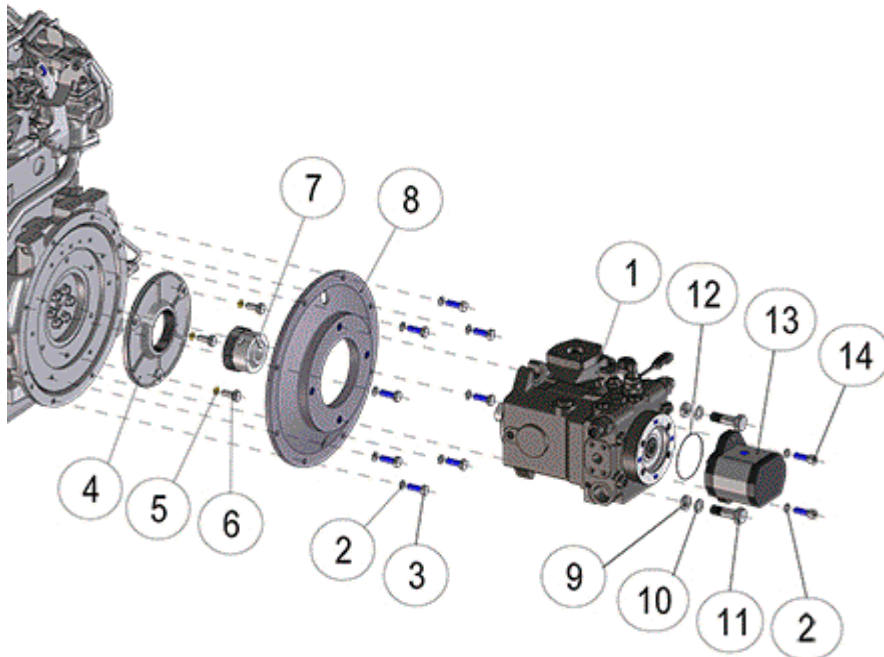


FIGURE	REFERENCE	DENOMINATION	AMOUNT
001	65.03215.00	PUMP 40x181x24,6 A4VG, HYDROSTATIC	1
001	65.03215.00	PUMP 40x181x24,6 A4VG, HYDROSTATIC	1
001	65.03215.00	PUMP 40x181x24,6 A4VG, HYDROSTATIC	1
002	104.10000.00	WASHER DIN7980 D10	10
002	104.10000.00	WASHER DIN7980 D10	10
002	104.10000.00	WASHER DIN7980 D10	10
003	603.10030.87	SCREW DIN 933 M10x30	8
003	603.10030.87	SCREW DIN 933 M10x30	8
003	603.10030.87	SCREW DIN 933 M10x30	8
004	65.03214.01	ATTACHMENT CIL/DEN	1
004	65.03214.01	ATTACHMENT CIL/DEN	1
004	65.03214.01	ATTACHMENT CIL/DEN	1
005	105.08000.66	CIR-CLIP EXT. DIN7980 D8	3
005	105.08000.66	CIR-CLIP EXT. DIN7980 D8	3
005	105.08000.66	CIR-CLIP EXT. DIN7980 D8	3
006	617.10025.86	SCREW DIN960 M10X25X1.25	3
006	617.10025.86	SCREW DIN960 M10X25X1.25	3
006	617.10025.86	SCREW DIN960 M10X25X1.25	3

03. TRANSMISSION

HYDROSTATIC TRANSMISSION

FIGURE	REFERENCE	DENOMINATION	AMOUNT
007	65.03216.01	ATTACHMENT DEN/DEN	1
007	65.03216.01	ATTACHMENT DEN/DEN	1
007	65.03216.01	ATTACHMENT DEN/DEN	1
008	65.03213.01	ATTACHMENT CIL/CIL	1
008	65.03213.01	ATTACHMENT CIL/CIL	1
008	65.03213.01	ATTACHMENT CIL/CIL	1
009	65.03217.00	WASHER 16x7x26	2
009	65.03217.00	WASHER 16x7x26	2
009	65.03217.00	WASHER 16x7x26	2
010	104.16000.00	CIR-CLIP EXT. DIN7980	2
010	104.16000.00	CIR-CLIP EXT. DIN7980	2
010	104.16000.00	CIR-CLIP EXT. DIN7980	2
011	604.16050.86	SCREW DIN931 M16x50	2
011	604.16050.86	SCREW DIN931 M16x50	2
011	604.16050.86	SCREW DIN931 M16x50	2
012	201.08218.50	O-RING DIN3770 82,27x85,83x1,78	1
012	201.08218.50	O-RING DIN3770 82,27x85,83x1,78	1
012	201.08218.50	O-RING DIN3770 82,27x85,83x1,78	1
013	65.10113.00	HYDRAULIC PUMP 12 CC SAE9	1
013	65.10113.00	HYDRAULIC PUMP 12 CC SAE9	1
013	65.10113.00	HYDRAULIC PUMP 12 CC SAE9	1
014	601.10030.86	SCREW DIN912	2
014	601.10030.86	SCREW DIN912	2
014	601.10030.86	SCREW DIN912	2

03. TRANSMISSION HYDROSTATIC ENGINE

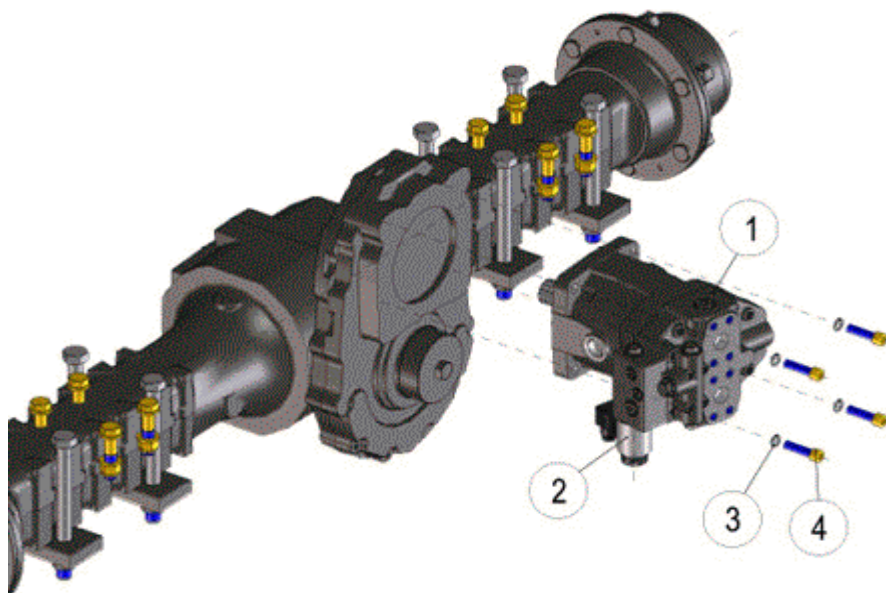


FIGURE	REFERENCE	DENOMINATION	AMOUNT
001	52.01490.05	HYDRAULIC ENGINE REXROTH A6VM SERIE 65 80cc	1
001	52.01490.05	HYDRAULIC ENGINE REXROTH A6VM SERIE 65 80cc	1
001	52.01490.05	HYDRAULIC ENGINE REXROTH A6VM SERIE 65 80cc	1
002	RX.30005.00	SPOOL	1
002	RX.30005.00	SPOOL	1
002	RX.30005.00	SPOOL	1
003	104.12000.00	WASHER DIN7980 D12	4
003	104.12000.00	WASHER DIN7980 D12	4
003	104.12000.00	WASHER DIN7980 D12	4
004	601.12045.86	SCREW DIN912	4
004	601.12045.86	SCREW DIN912	4
004	601.12045.86	SCREW DIN912	4

03. TRANSMISSION CARDAN JOINT

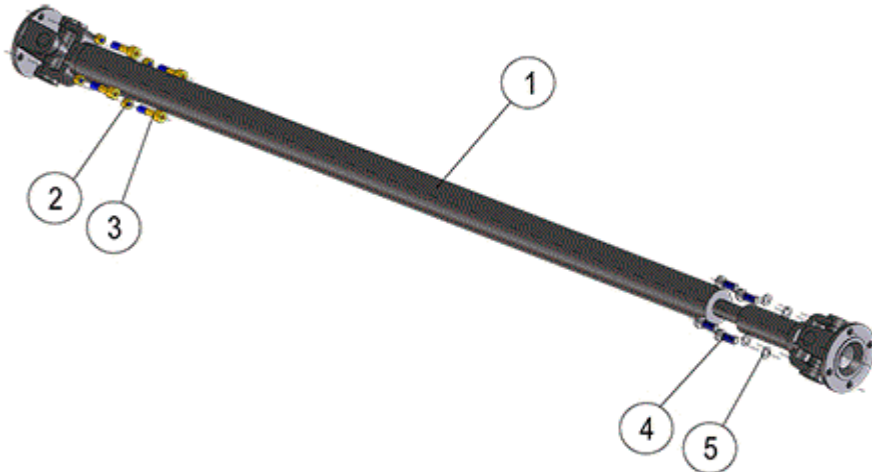


FIGURE	REFERENCE	DENOMINATION	AMOUNT
001	65.03616.01	DRIVE SHAFT 1350-1420 S-1310	1
001	65.03616.01	DRIVE SHAFT 1350-1420 S-1310	1
001	65.03616.01	DRIVE SHAFT 1350-1420 S-1310	1
002	711.08000.66	NUT DIN982 M8	4
002	711.08000.66	NUT DIN982 M8	4
002	711.08000.66	NUT DIN982 M8	4
003	65.03130.00	SCREW W3/8X31 16 HIL	4
003	65.03130.00	SCREW W3/8X31 16 HIL	4
003	65.03130.00	SCREW W3/8X31 16 HIL	4
004	65.03618.00	BOLT DIN912 M10x1,5x25	4
004	65.03618.00	BOLT DIN912 M10x1,5x25	4
004	65.03618.00	BOLT DIN912 M10x1,5x25	4
005	104.10000.00	WASHER DIN7980 D10	4
005	104.10000.00	WASHER DIN7980 D10	4
005	104.10000.00	WASHER DIN7980 D10	4

03. TRANSMISSION FRONT AXLE (1)

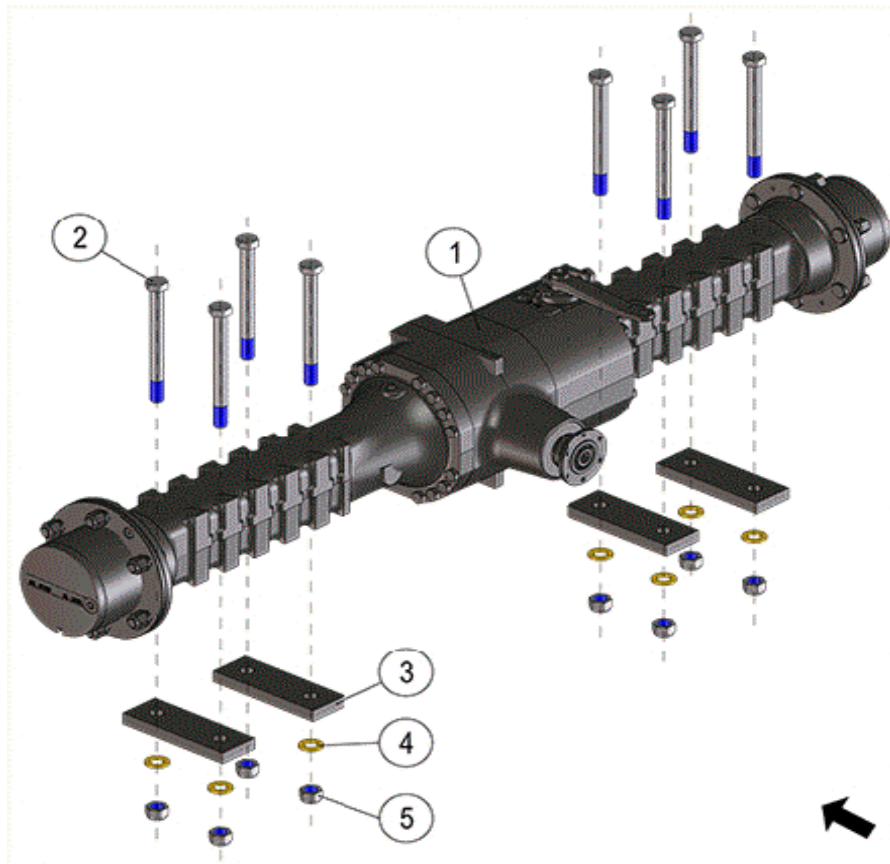


FIGURE	REFERENCE	DENOMINATION	AMOUNT
001	65.03316.00	AXLE, FRONT DANA	1
001	65.03316.00	AXLE, FRONT DANA	1
001	65.03316.00	AXLE, FRONT DANA	1
002	604.20210.86	TORNILLO DIN931 M20x210	8
002	604.20210.86	TORNILLO DIN931 M20x210	8
002	604.20210.86	TORNILLO DIN931 M20x210	8
003	65.03318.00	STRIP 200x70x20	4
003	65.03318.00	STRIP 200x70x20	4
003	65.03318.00	STRIP 200x70x20	4
004	101.20000.66	WASHER DIN125	8
004	101.20000.66	WASHER DIN125	8
004	101.20000.66	WASHER DIN125	8
005	711.20000.66	NUT	8
005	711.20000.66	NUT	8
005	711.20000.66	NUT	8

03. TRANSMISSION

FRONT AXLE (2)

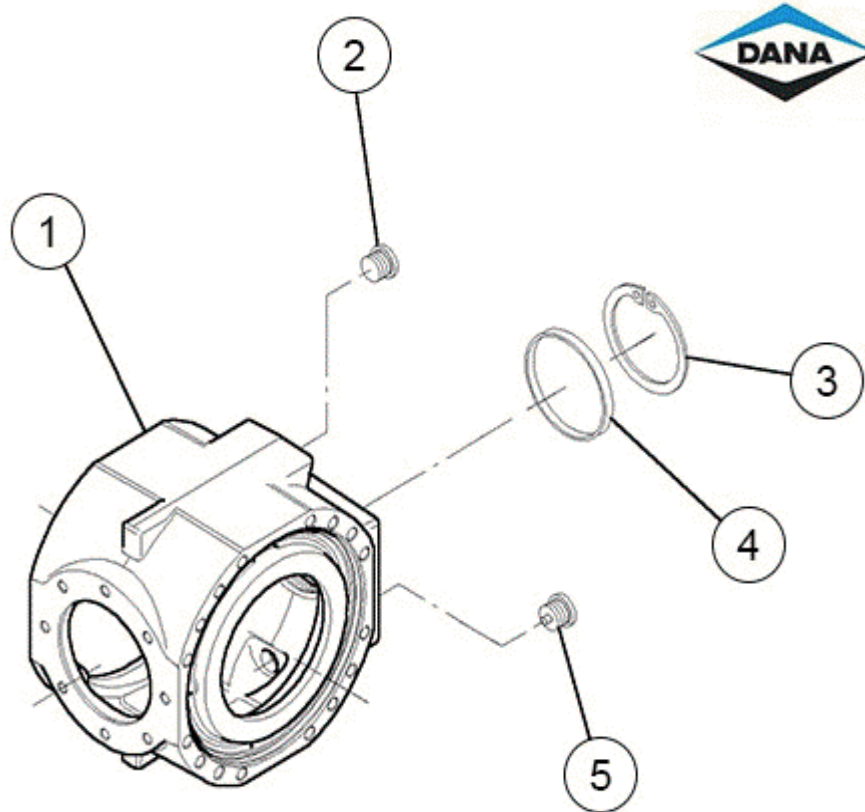


FIGURE	REFERENCE	DENOMINATION	AMOUNT
001	DA1110100301	HOUSING	1
001	DA1110100301	HOUSING	1
001	DA1110100301	HOUSING	1
002	DA3551461001	PLUG	1
002	DA3551461001	PLUG	1
002	DA3551461001	PLUG	1
003	DA002020088	CIRCLIP	1
003	DA002020088	CIRCLIP	1
003	DA002020088	CIRCLIP	1
004	DA1710101504	CAP	1
004	DA1710101504	CAP	1
004	DA1710101504	CAP	1
005	DA3551461102	TAPON ROTURA DOBLE	1
005	DA3551461102	TAPON ROTURA DOBLE	1
005	DA3551461102	TAPON ROTURA DOBLE	1

03. TRANSMISSION FRONT AXLE (3)

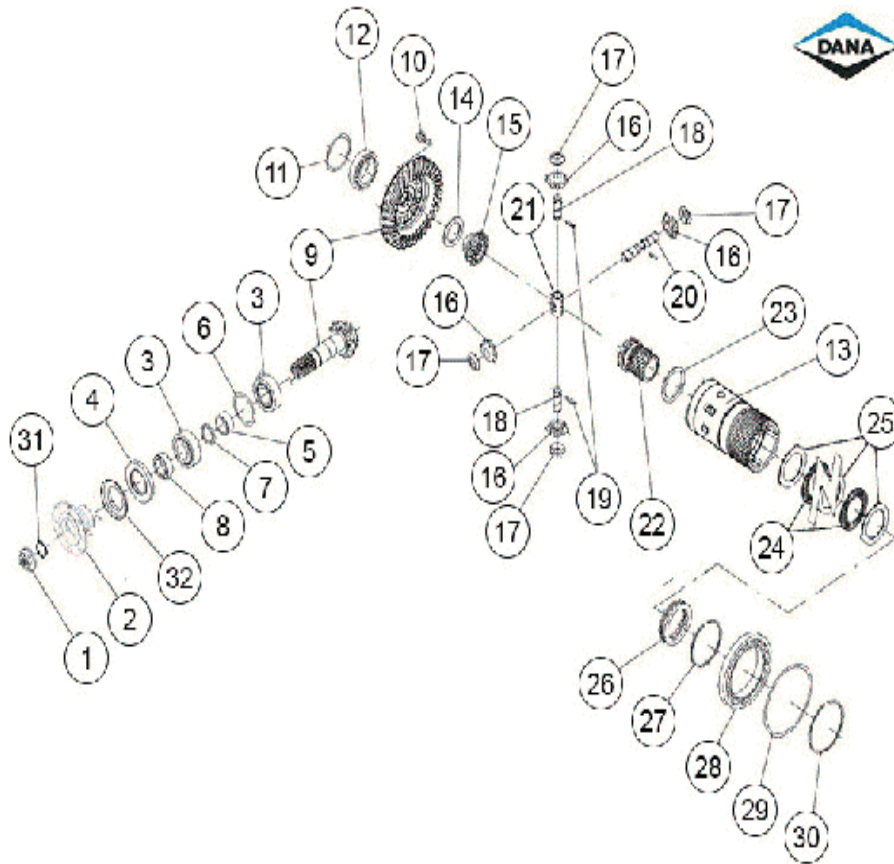


FIGURE	REFERENCE	DENOMINATION	AMOUNT
001	DA7460400801	NUT	1
001	DA7460400801	NUT	1
001	DA7460400801	NUT	1
002	DA5422200405	FLANGE	1
002	DA5422200405	FLANGE	1
002	DA5422200405	FLANGE	1
003	DA005092938	BEARING	2
003	DA005092938	BEARING	2
003	DA005092938	BEARING	2
004	DA001030730	O-RING	1
004	DA001030730	O-RING	1
004	DA001030730	O-RING	1
005	DA1110403801	SPACER	1
005	DA1110403801	SPACER	1
005	DA1110403801	SPACER	1
006	DA013011549	SHIM	1
006	DA013011549	SHIM	1
006	DA013011549	SHIM	1

03. TRANSMISSION FRONT AXLE (3)

FIGURE	REFERENCE	DENOMINATION	AMOUNT
007	DA3151400910	RING	1
007	DA3151400910	RING	1
007	DA3151400910	RING	1
008	DA1710401801	SPACER	1
008	DA1710401801	SPACER	1
008	DA1710401801	SPACER	1
009	DA1110450003	RING & PINION	1
009	DA1110450003	RING & PINION	1
009	DA1110450003	RING & PINION	1
010	DA016283658	BOLT	12
010	DA016283658	BOLT	12
010	DA016283658	BOLT	12
011	DA013011475	SHIM	1
011	DA013011475	SHIM	1
011	DA013011475	SHIM	1
012	DA005090496	TAPER ROLLER BEARING	1
012	DA005090496	TAPER ROLLER BEARING	1
012	DA005090496	TAPER ROLLER BEARING	1
013	DA1110405601	DIFFERENTIAL CARRIER	1
013	DA1110405601	DIFFERENTIAL CARRIER	1
013	DA1110405601	DIFFERENTIAL CARRIER	1
014	DA1710401101	FRICITION WASHER	1
014	DA1710401101	FRICITION WASHER	1
014	DA1710401101	FRICITION WASHER	1
015	DA1110405801	DIFFERENTIAL SIDE GEAR	1
015	DA1110405801	DIFFERENTIAL SIDE GEAR	1
015	DA1110405801	DIFFERENTIAL SIDE GEAR	1
016	DA1710400401	DIFFERENTIAL PINION	4
016	DA1710400401	DIFFERENTIAL PINION	4
016	DA1710400401	DIFFERENTIAL PINION	4
017	DA1710401201	FRICITION WASHER	4
017	DA1710401201	FRICITION WASHER	4
017	DA1710401201	FRICITION WASHER	4
018	DA1110403401	SHAFT	2
018	DA1110403401	SHAFT	2
018	DA1110403401	SHAFT	2

03. TRANSMISSION FRONT AXLE (3)

FIGURE	REFERENCE	DENOMINATION	AMOUNT
019	DA014033539	PIN	3
019	DA014033539	PIN	3
019	DA014033539	PIN	3
020	DA1110403301	SHAFT	1
020	DA1110403301	SHAFT	1
020	DA1110403301	SHAFT	1
021	DA1110403202	SHAFT RETAINER	1
021	DA1110403202	SHAFT RETAINER	1
021	DA1110403202	SHAFT RETAINER	1
022	DA1110402602	DIFFERENTIAL SIDE GEAR	1
022	DA1110402602	DIFFERENTIAL SIDE GEAR	1
022	DA1110402602	DIFFERENTIAL SIDE GEAR	1
023	DA1110406001	FRICITION WASHER	1
023	DA1110406001	FRICITION WASHER	1
023	DA1110406001	FRICITION WASHER	1
024	DA1110404501	CLUTCH DISC	7
024	DA1110404501	CLUTCH DISC	7
024	DA1110404501	CLUTCH DISC	7
025	DA000727330	INTERMEDIATE CLUTCH DISC	8
025	DA000727330	INTERMEDIATE CLUTCH DISC	8
025	DA000727330	INTERMEDIATE CLUTCH DISC	8
026	DA005452335	BEARING	1
026	DA005452335	BEARING	1
026	DA005452335	BEARING	1
027	DA002063536	CIRCLIP	1
027	DA002063536	CIRCLIP	1
027	DA002063536	CIRCLIP	1
028	DA005103166	BUSH	1
028	DA005103166	BUSH	1
028	DA005103166	BUSH	1
029	DA000345621	SHIM	1
029	DA000345621	SHIM	1
029	DA000345621	SHIM	1
030	DA002053540	CIRCLIP	1
030	DA002053540	CIRCLIP	1
030	DA002053540	CIRCLIP	1

03. TRANSMISSION

FRONT AXLE (3)

FIGURE	REFERENCE	DENOMINATION	AMOUNT
031	DA001050041	O-RING	1
031	DA001050041	O-RING	1
031	DA001050041	O-RING	1
032	DA9530102501	COVERPLATE	1
032	DA9530102501	COVERPLATE	1
032	DA9530102501	COVERPLATE	1

03. TRANSMISSION FRONT AXLE (4)

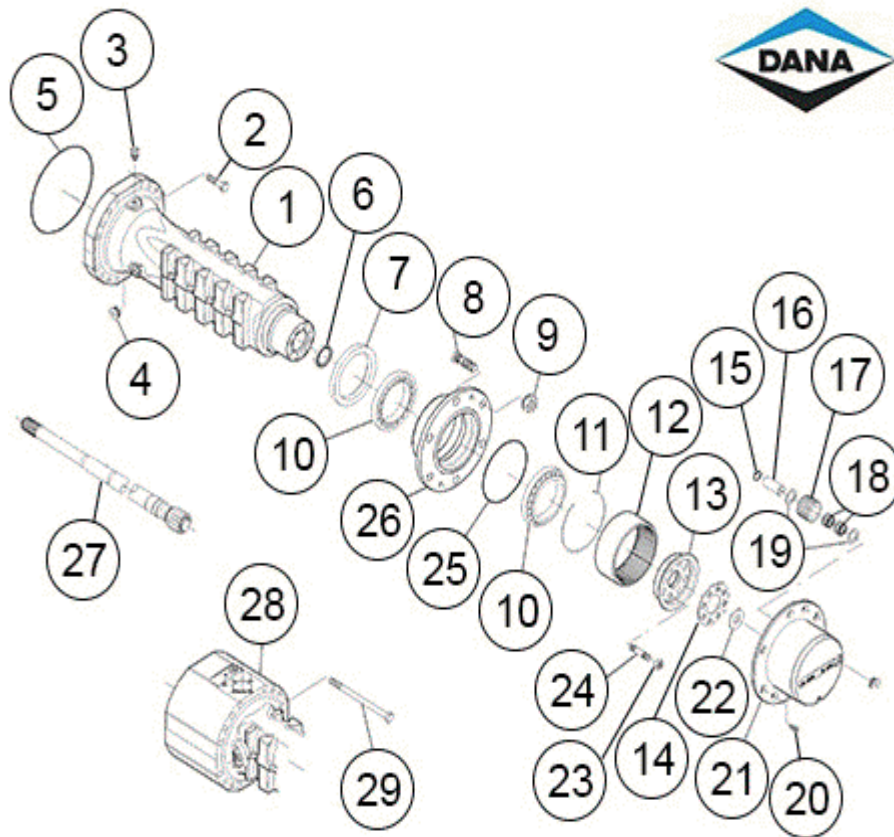


FIGURE	REFERENCE	DENOMINATION	AMOUNT
001	DA1110601202	AXLE CASE	1
001	DA1110601202	AXLE CASE	1
001	DA1110601202	AXLE CASE	1
002	DA016031317	BOLT	16
002	DA016031317	BOLT	16
002	DA016031317	BOLT	16
003	DA7020100301	VENT	1
003	DA7020100301	VENT	1
003	DA7020100301	VENT	1
004	DA3551461001	PLUG	3
004	DA3551461001	PLUG	3
004	DA3551461001	PLUG	3
005	DA001051037	O-RING	2
005	DA001051037	O-RING	2
005	DA001051037	O-RING	2
006	DA001011349	RING	2
006	DA001011349	RING	2
006	DA001011349	RING	2

03. TRANSMISSION FRONT AXLE (4)

FIGURE	REFERENCE	DENOMINATION	AMOUNT
007	DA001211393	O-RING	2
007	DA001211393	O-RING	2
007	DA001211393	O-RING	2
008	DA8190600606	BOLT, WHEEL	12
008	DA8190600606	BOLT, WHEEL	12
008	DA8190600606	BOLT, WHEEL	12
009	DA006080206	WHEEL NUT	12
009	DA006080206	WHEEL NUT	12
009	DA006080206	WHEEL NUT	12
010	DA005101380	BEARING	4
010	DA005101380	BEARING	4
010	DA005101380	BEARING	4
011	DA1110601901	CIRCLIP	2
011	DA1110601901	CIRCLIP	2
011	DA1110601901	CIRCLIP	2
012	DA1110601802	RING GEAR	2
012	DA1110601802	RING GEAR	2
012	DA1110601802	RING GEAR	2
013	DA1110602301	RING GEAR SUPPORT	2
013	DA1110602301	RING GEAR SUPPORT	2
013	DA1110602301	RING GEAR SUPPORT	2
014	DA1110600701	LOCKING PLATE	2
014	DA1110600701	LOCKING PLATE	2
014	DA1110600701	LOCKING PLATE	2
015	DA002021024	CIRCLIP	6
015	DA002021024	CIRCLIP	6
015	DA002021024	CIRCLIP	6
016	DA1110601601	SHAFT	6
016	DA1110601601	SHAFT	6
016	DA1110601601	SHAFT	6
017	DA1110601503	DIFFERENTIAL PINION	6
017	DA1110601503	DIFFERENTIAL PINION	6
017	DA1110601503	DIFFERENTIAL PINION	6
018	DA005130171	NEEDLE BEARING	12
018	DA005130171	NEEDLE BEARING	12
018	DA005130171	NEEDLE BEARING	12

03. TRANSMISSION

FRONT AXLE (4)

FIGURE	REFERENCE	DENOMINATION	AMOUNT
019	DA1110601701	FRICION WASHER	12
019	DA1110601701	FRICION WASHER	12
019	DA1110601701	FRICION WASHER	12
020	DA016062055	BOLT	4
020	DA016062055	BOLT	4
020	DA016062055	BOLT	4
021	DA1110602201	PLANET GEAR CARRIER	2
021	DA1110602201	PLANET GEAR CARRIER	2
021	DA1110602201	PLANET GEAR CARRIER	2
022	DA1120601702	WASHER	2
022	DA1120601702	WASHER	2
022	DA1120601702	WASHER	2
023	DA006022961	NUT	16
023	DA006022961	NUT	16
023	DA006022961	NUT	16
024	DA1110600601	STUD	16
024	DA1110600601	STUD	16
024	DA1110600601	STUD	16
025	DA001051350	RING	2
025	DA001051350	RING	2
025	DA001051350	RING	2
026	DA1110602101	WHEEL HUB	2
026	DA1110602101	WHEEL HUB	2
026	DA1110602101	WHEEL HUB	2
027	DA1110602401	HALF SHAFT	2
027	DA1110602401	HALF SHAFT	2
027	DA1110602401	HALF SHAFT	2
028	DA1110600803	AXLE CASE	1
028	DA1110600803	AXLE CASE	1
028	DA1110600803	AXLE CASE	1
029	DA016033541	BOLT	16
029	DA016033541	BOLT	16
029	DA016033541	BOLT	16

03. TRANSMISSION FRONT AXLE (5)

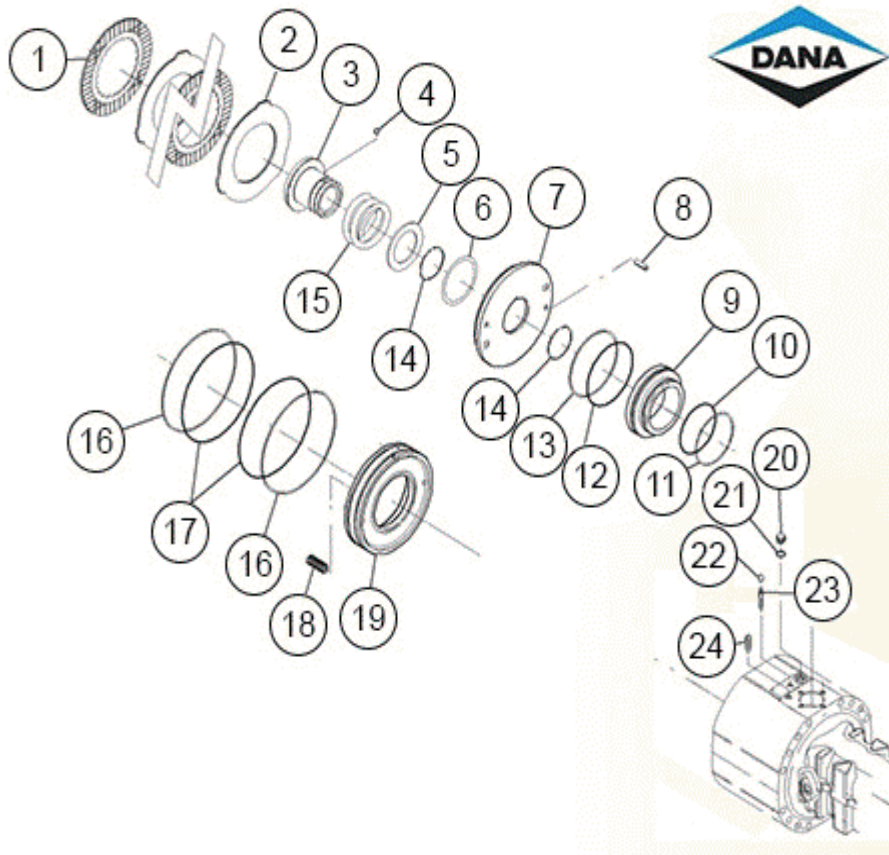


FIGURE	REFERENCE	DENOMINATION	AMOUNT
001	DA1120761102	BRAKE DISC	6
001	DA1120761102	BRAKE DISC	6
001	DA1120761102	BRAKE DISC	6
002	DA1110701503	INTERMEDIATE BRAKE DISC	6
002	DA1110701503	INTERMEDIATE BRAKE DISC	6
002	DA1110701503	INTERMEDIATE BRAKE DISC	6
003	DA1110403004	BUSHING	1
003	DA1110403004	BUSHING	1
003	DA1110403004	BUSHING	1
004	DA012010249	DETEND BALL	1
004	DA012010249	DETEND BALL	1
004	DA012010249	DETEND BALL	1
005	DA1110402902	SPACER	1
005	DA1110402902	SPACER	1
005	DA1110402902	SPACER	1
006	DA013010311	SHIM	2
006	DA013010311	SHIM	2
006	DA013010311	SHIM	2

03. TRANSMISSION FRONT AXLE (5)

FIGURE	REFERENCE	DENOMINATION	AMOUNT
007	DA1110702203	INTERMEDIATE BRAKE DISC	1
007	DA1110702203	INTERMEDIATE BRAKE DISC	1
007	DA1110702203	INTERMEDIATE BRAKE DISC	1
008	DA014033601	ROLL PIN	2
008	DA014033601	ROLL PIN	2
008	DA014033601	ROLL PIN	2
009	DA1110702002	PISTON	1
009	DA1110702002	PISTON	1
009	DA1110702002	PISTON	1
010	DA001050691	O-RING	1
010	DA001050691	O-RING	1
010	DA001050691	O-RING	1
011	DA1110701601	BACK-UP RING	1
011	DA1110701601	BACK-UP RING	1
011	DA1110701601	BACK-UP RING	1
012	DA7380710201	O-RING	1
012	DA7380710201	O-RING	1
012	DA7380710201	O-RING	1
013	DA7380710401	BACK-UP RING	1
013	DA7380710401	BACK-UP RING	1
013	DA7380710401	BACK-UP RING	1
014	DA002053599	CIRCLIP	2
014	DA002053599	CIRCLIP	2
014	DA002053599	CIRCLIP	2
015	DA1110403103	SPRING	1
015	DA1110403103	SPRING	1
015	DA1110403103	SPRING	1
016	DA1830700301	BACK-UP RING	2
016	DA1830700301	BACK-UP RING	2
016	DA1830700301	BACK-UP RING	2
017	DA001050808	O-RING	2
017	DA001050808	O-RING	2
017	DA001050808	O-RING	2
018	DA1710701002	SPRING	3
018	DA1710701002	SPRING	3
018	DA1710701002	SPRING	3

03. TRANSMISSION FRONT AXLE (5)

FIGURE	REFERENCE	DENOMINATION	AMOUNT
019	DA1110701403	PISTON	1
019	DA1110701403	PISTON	1
019	DA1110701403	PISTON	1
020	DA016101441	BOLT	1
020	DA016101441	BOLT	1
020	DA016101441	BOLT	1
021	DA011071215	O-RING	1
021	DA011071215	O-RING	1
021	DA011071215	O-RING	1
022	DA7340701501	CAP	1
022	DA7340701501	CAP	1
022	DA7340701501	CAP	1
023	DA7340701401	BOLT	1
023	DA7340701401	BOLT	1
023	DA7340701401	BOLT	1
041	DA016090451	GRUB BOLT	1
041	DA016090451	GRUB BOLT	1
041	DA016090451	GRUB BOLT	1

03. TRANSMISSION FRONT AXLE (6)

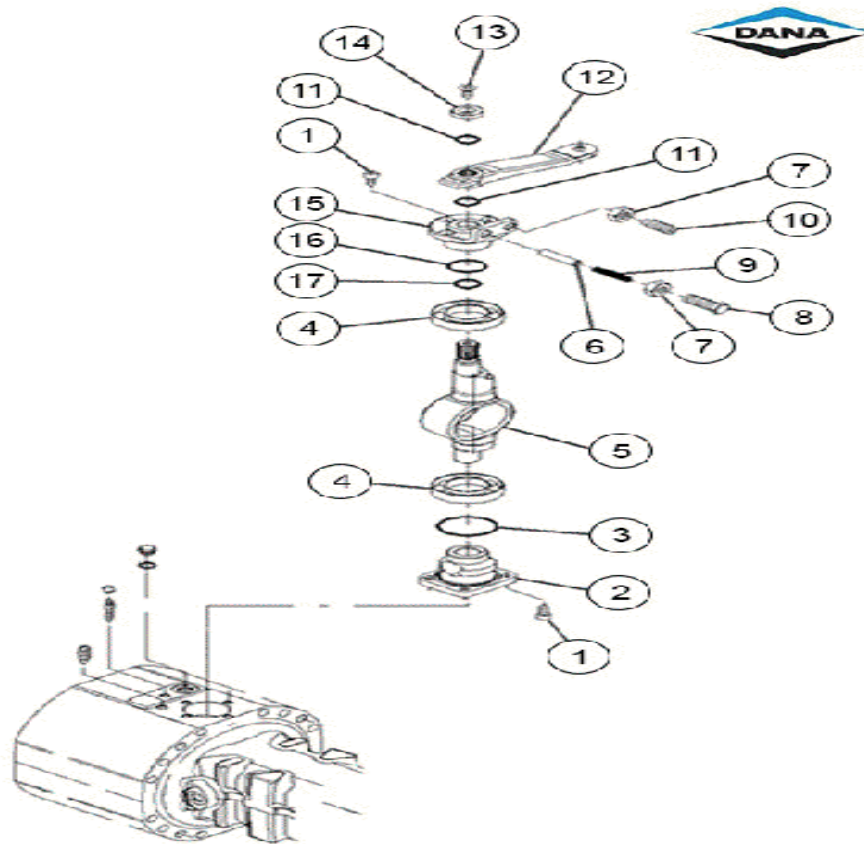


FIGURE	REFERENCE	DENOMINATION	AMOUNT
001	DA016040705	CYLINDER BOLT	7
001	DA016040705	CYLINDER BOLT	7
001	DA016040705	CYLINDER BOLT	7
002	DA1110702801	REDUCTION BUSHING	1
002	DA1110702801	REDUCTION BUSHING	1
002	DA1110702801	REDUCTION BUSHING	1
003	DA001051608	O-RING	1
003	DA001051608	O-RING	1
003	DA001051608	O-RING	1
004	DA005010116	BEARING	2
004	DA005010116	BEARING	2
004	DA005010116	BEARING	2
005	DA1110702701	BRAKE LEVER	1
005	DA1110702701	BRAKE LEVER	1
005	DA1110702701	BRAKE LEVER	1
007	DA006030198	NUT	1
007	DA006030198	NUT	1
007	DA006030198	NUT	1

03. TRANSMISSION FRONT AXLE (6)

FIGURE	REFERENCE	DENOMINATION	AMOUNT
010	DA016113234	BOLT	1
010	DA016113234	BOLT	1
010	DA016113234	BOLT	1
011	DA001051358	O-RING	1
011	DA001051358	O-RING	1
011	DA001051358	O-RING	1
012	DA7380702606	LEVER	1
012	DA7380702606	LEVER	1
012	DA7380702606	LEVER	1
013	DA016060439	COUNTERSUNK BOLT	1
013	DA016060439	COUNTERSUNK BOLT	1
013	DA016060439	COUNTERSUNK BOLT	1
014	DA1710700701	WASHER	1
014	DA1710700701	WASHER	1
014	DA1710700701	WASHER	1
015	DA1120701506	REDUCTION BUSHING	1
015	DA1120701506	REDUCTION BUSHING	1
015	DA1120701506	REDUCTION BUSHING	1
016	DA001051494	O-RING	1
016	DA001051494	O-RING	1
016	DA001051494	O-RING	1
017	DA001051588	O-RING	1
017	DA001051588	O-RING	1
017	DA001051588	O-RING	1

03. TRANSMISSION REAR AXLE (1)

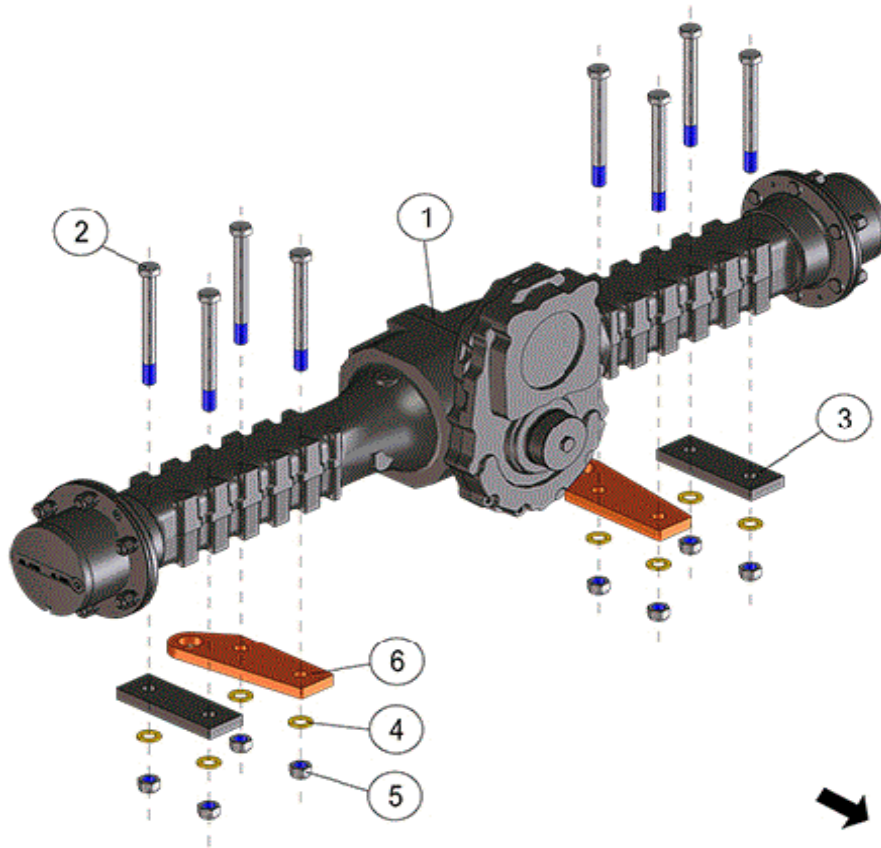


FIGURE	REFERENCE	DENOMINATION	AMOUNT
001	65.03317.00	REAR FIX AXL	1
001	65.03317.00	REAR FIX AXL	1
001	65.03317.00	REAR FIX AXL	1
002	604.20210.86	TORNILLO DIN931 M20x210	8
002	604.20210.86	TORNILLO DIN931 M20x210	8
002	604.20210.86	TORNILLO DIN931 M20x210	8
003	65.03318.00	STRIP 200x70x20	2
003	65.03318.00	STRIP 200x70x20	2
003	65.03318.00	STRIP 200x70x20	2
004	101.20000.66	WASHER DIN125	8
004	101.20000.66	WASHER DIN125	8
004	101.20000.66	WASHER DIN125	8
005	711.20000.66	NUT	8
005	711.20000.66	NUT	8
005	711.20000.66	NUT	8
006	65.03310.00		2
006	65.03310.00		2
006	65.03310.00		2

03. TRANSMISSION

REAR AXLE (2)

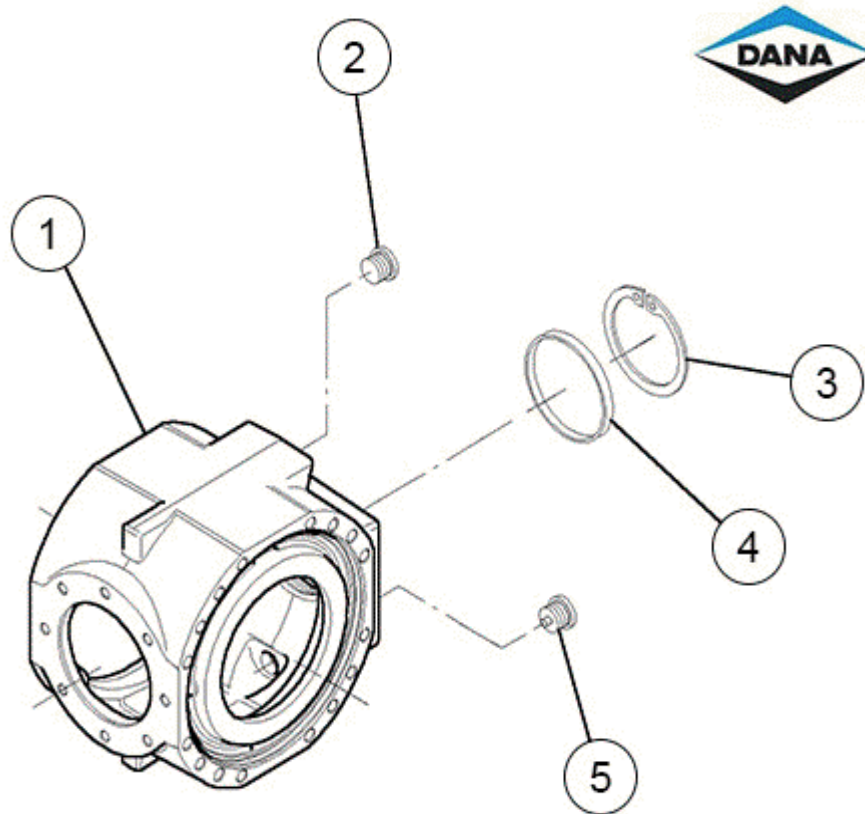


FIGURE	REFERENCE	DENOMINATION	AMOUNT
001	DA1110100301	HOUSING	1
001	DA1110100301	HOUSING	1
001	DA1110100301	HOUSING	1
002	DA3551461001	PLUG	1
002	DA3551461001	PLUG	1
002	DA3551461001	PLUG	1
003	DA002020088	CIRCLIP	1
003	DA002020088	CIRCLIP	1
003	DA002020088	CIRCLIP	1
004	DA1710101504	CAP	1
004	DA1710101504	CAP	1
004	DA1710101504	CAP	1
005	DA3551461102	TAPON ROTURA DOBLE	1
005	DA3551461102	TAPON ROTURA DOBLE	1
005	DA3551461102	TAPON ROTURA DOBLE	1

03. TRANSMISSION REAR AXLE (3)

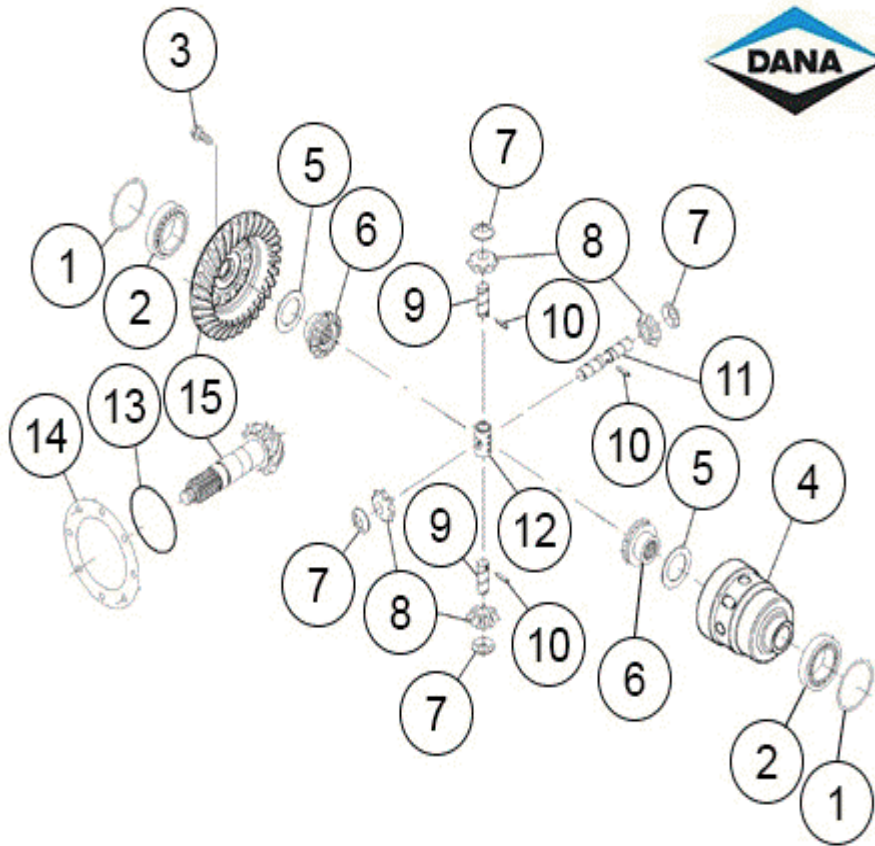


FIGURE	REFERENCE	DENOMINATION	AMOUNT
001	DA013011475	SHIM	2
001	DA013011475	SHIM	2
001	DA013011475	SHIM	2
002	DA005090496	TAPER ROLLER BEARING	2
002	DA005090496	TAPER ROLLER BEARING	2
002	DA005090496	TAPER ROLLER BEARING	2
003	DA016283658	BOLT	12
003	DA016283658	BOLT	12
003	DA016283658	BOLT	12
004	DA1110405701	DIFFERENTIAL CARRIER	1
004	DA1110405701	DIFFERENTIAL CARRIER	1
004	DA1110405701	DIFFERENTIAL CARRIER	1
005	DA1710401101	FRICITION WASHER	2
005	DA1710401101	FRICITION WASHER	2
005	DA1710401101	FRICITION WASHER	2
006	DA1110405801	DIFFERENTIAL SIDE GEAR	2
006	DA1110405801	DIFFERENTIAL SIDE GEAR	2
006	DA1110405801	DIFFERENTIAL SIDE GEAR	2

03. TRANSMISSION

REAR AXLE (3)

FIGURE	REFERENCE	DENOMINATION	AMOUNT
007	DA1710401201	FRICTION WASHER	4
007	DA1710401201	FRICTION WASHER	4
007	DA1710401201	FRICTION WASHER	4
008	DA1710400401	DIFFERENTIAL PINION	4
008	DA1710400401	DIFFERENTIAL PINION	4
008	DA1710400401	DIFFERENTIAL PINION	4
009	DA1110403401	SHAFT	2
009	DA1110403401	SHAFT	2
009	DA1110403401	SHAFT	2
010	DA014033539	PIN	3
010	DA014033539	PIN	3
010	DA014033539	PIN	3
011	DA1110403301	SHAFT	1
011	DA1110403301	SHAFT	1
011	DA1110403301	SHAFT	1
012	DA1110403202	SHAFT RETAINER	1
012	DA1110403202	SHAFT RETAINER	1
012	DA1110403202	SHAFT RETAINER	1
013	DA001051443	O - RING	1
013	DA001051443	O - RING	1
013	DA001051443	O - RING	1
014	DA1710100601	SHIM	1
014	DA1710100601	SHIM	1
014	DA1710100601	SHIM	1
015	DA1110450806	BEVEL GEAR SET	1
015	DA1110450806	BEVEL GEAR SET	1
015	DA1110450806	BEVEL GEAR SET	1

03. TRANSMISSION REAR AXLE (4)

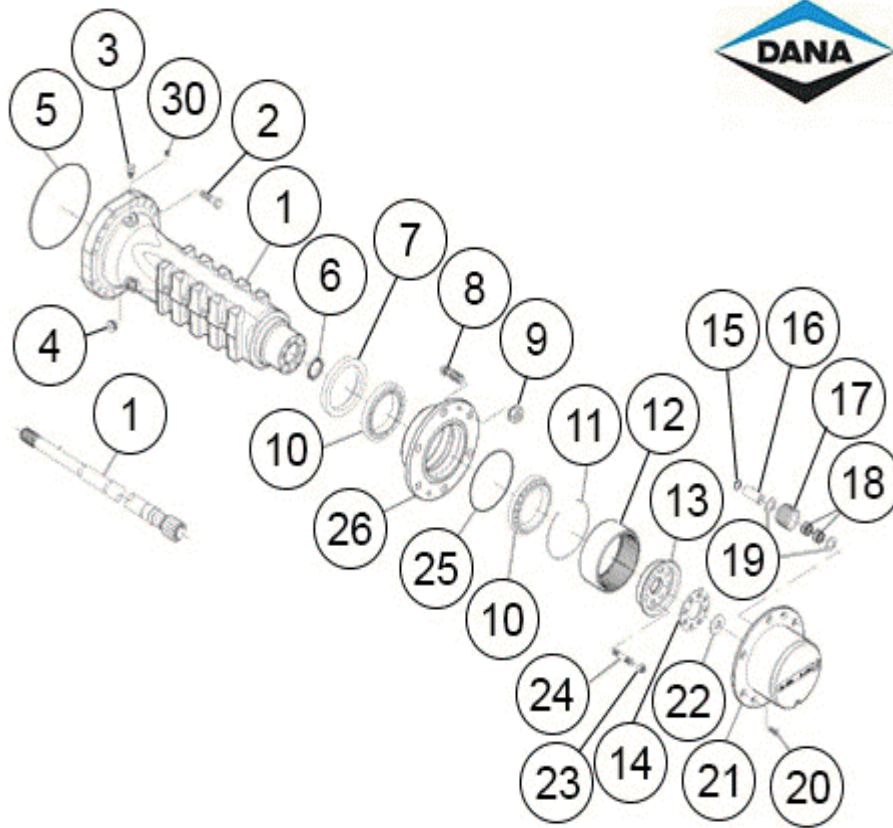


FIGURE	REFERENCE	DENOMINATION	AMOUNT
001	DA1110601202	AXLE CASE	1
001	DA1110601202	AXLE CASE	1
001	DA1110601202	AXLE CASE	1
002	DA016031317	BOLT	16
002	DA016031317	BOLT	16
002	DA016031317	BOLT	16
003	DA7020100301	VENT	1
003	DA7020100301	VENT	1
003	DA7020100301	VENT	1
004	DA3551461001	PLUG	3
004	DA3551461001	PLUG	3
004	DA3551461001	PLUG	3
005	DA001051037	O-RING	2
005	DA001051037	O-RING	2
005	DA001051037	O-RING	2
006	DA001011349	RING	2
006	DA001011349	RING	2
006	DA001011349	RING	2

03. TRANSMISSION

REAR AXLE (4)

FIGURE	REFERENCE	DENOMINATION	AMOUNT
007	DA001211393	O-RING	2
007	DA001211393	O-RING	2
007	DA001211393	O-RING	2
008	DA8190600606	BOLT, WHEEL	12
008	DA8190600606	BOLT, WHEEL	12
008	DA8190600606	BOLT, WHEEL	12
009	DA006080206	WHEEL NUT	12
009	DA006080206	WHEEL NUT	12
009	DA006080206	WHEEL NUT	12
010	DA005101380	BEARING	4
010	DA005101380	BEARING	4
010	DA005101380	BEARING	4
011	DA1110601901	CIRCLIP	2
011	DA1110601901	CIRCLIP	2
011	DA1110601901	CIRCLIP	2
012	DA1110601802	RING GEAR	2
012	DA1110601802	RING GEAR	2
012	DA1110601802	RING GEAR	2
013	DA1110602301	RING GEAR SUPPORT	2
013	DA1110602301	RING GEAR SUPPORT	2
013	DA1110602301	RING GEAR SUPPORT	2
014	DA1110600701	LOCKING PLATE	2
014	DA1110600701	LOCKING PLATE	2
014	DA1110600701	LOCKING PLATE	2
015	DA002021024	CIRCLIP	6
015	DA002021024	CIRCLIP	6
015	DA002021024	CIRCLIP	6
016	DA1110601601	SHAFT	6
016	DA1110601601	SHAFT	6
016	DA1110601601	SHAFT	6
017	DA1110601503	DIFFERENTIAL PINION	6
017	DA1110601503	DIFFERENTIAL PINION	6
017	DA1110601503	DIFFERENTIAL PINION	6
018	DA005130171	NEEDLE BEARING	12
018	DA005130171	NEEDLE BEARING	12
018	DA005130171	NEEDLE BEARING	12

03. TRANSMISSION

REAR AXLE (4)

FIGURE	REFERENCE	DENOMINATION	AMOUNT
019	DA1110601701	FRICION WASHER	12
019	DA1110601701	FRICION WASHER	12
019	DA1110601701	FRICION WASHER	12
020	DA016062055	BOLT	4
020	DA016062055	BOLT	4
020	DA016062055	BOLT	4
021	DA1110602201	PLANET GEAR CARRIER	2
021	DA1110602201	PLANET GEAR CARRIER	2
021	DA1110602201	PLANET GEAR CARRIER	2
022	DA1120601702	WASHER	2
022	DA1120601702	WASHER	2
022	DA1120601702	WASHER	2
023	DA006022961	NUT	16
023	DA006022961	NUT	16
023	DA006022961	NUT	16
024	DA1110600601	STUD	16
024	DA1110600601	STUD	16
024	DA1110600601	STUD	16
025	DA001051350	RING	2
025	DA001051350	RING	2
025	DA001051350	RING	2
026	DA1110602101	WHEEL HUB	2
026	DA1110602101	WHEEL HUB	2
026	DA1110602101	WHEEL HUB	2
027	DA1110602401	HALF SHAFT	2
027	DA1110602401	HALF SHAFT	2
027	DA1110602401	HALF SHAFT	2
028	DA1110600803	AXLE CASE	1
028	DA1110600803	AXLE CASE	1
028	DA1110600803	AXLE CASE	1
029	DA016033541	BOLT	16
029	DA016033541	BOLT	16
029	DA016033541	BOLT	16

03. TRANSMISSION

REAR AXLE (5)

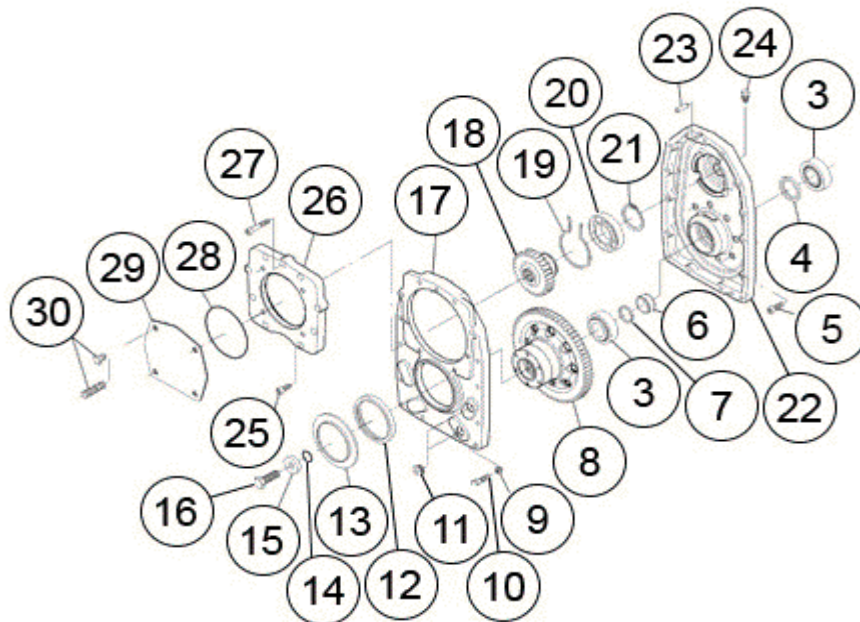


FIGURE	REFERENCE	DENOMINATION	AMOUNT
003	DA005092938	BEARING	2
003	DA005092938	BEARING	2
003	DA005092938	BEARING	2
004	DA001433687	O-RING	1
004	DA001433687	O-RING	1
004	DA001433687	O-RING	1
005	DA016040787	BOLT	8
005	DA016040787	BOLT	8
005	DA016040787	BOLT	8
006	DA3151400801	SPACER	1
006	DA3151400801	SPACER	1
006	DA3151400801	SPACER	1
007	DA3151400910	RING	1
007	DA3151400910	RING	1
007	DA3151400910	RING	1
008	DA3151401806	GEAR	1
008	DA3151401806	GEAR	1
008	DA3151401806	GEAR	1

03. TRANSMISSION

REAR AXLE (5)

FIGURE	REFERENCE	DENOMINATION	AMOUNT
009	DA011010222	SPRING WASHER	10
009	DA011010222	SPRING WASHER	10
009	DA011010222	SPRING WASHER	10
010	DA016030394	BOLT	10
010	DA016030394	BOLT	10
010	DA016030394	BOLT	10
011	DA3551461001	PLUG	2
011	DA3551461001	PLUG	2
011	DA3551461001	PLUG	2
012	DA001133603	O-RING	1
012	DA001133603	O-RING	1
012	DA001133603	O-RING	1
013	DA3151400601	SHEET	1
013	DA3151400601	SHEET	1
013	DA3151400601	SHEET	1
014	DA001050041	O-RING	1
014	DA001050041	O-RING	1
014	DA001050041	O-RING	1
015	DA3151400503	WASHER	1
015	DA3151400503	WASHER	1
015	DA3151400503	WASHER	1
016	DA016023559	BOLT	1
016	DA016023559	BOLT	1
016	DA016023559	BOLT	1
017	DA3151401502	COVER	1
017	DA3151401502	COVER	1
017	DA3151401502	COVER	1
018	DA3131400611	GEAR	1
018	DA3131400611	GEAR	1
018	DA3131400611	GEAR	1
019	DA3131400501	CIRCLIP	1
019	DA3131400501	CIRCLIP	1
019	DA3131400501	CIRCLIP	1
020	DA005013296	BALL BEARING	1
020	DA005013296	BALL BEARING	1
020	DA005013296	BALL BEARING	1

03. TRANSMISSION

REAR AXLE (5)

FIGURE	REFERENCE	DENOMINATION	AMOUNT
021	DA002010636	CIRCLIP	1
021	DA002010636	CIRCLIP	1
021	DA002010636	CIRCLIP	1
022	DA3151401402	HOUSING	1
022	DA3151401402	HOUSING	1
022	DA3151401402	HOUSING	1
023	DA014020332	PIN	2
023	DA014020332	PIN	2
023	DA014020332	PIN	2
024	DA3151401601	VENT	1
024	DA3151401601	VENT	1
024	DA3151401601	VENT	1
025	DA016040421	CYLINDER BOLT	4
025	DA016040421	CYLINDER BOLT	4
025	DA016040421	CYLINDER BOLT	4
026	DA3131400301	COVER	1
026	DA3131400301	COVER	1
026	DA3131400301	COVER	1
027	DA016040748	CYLINDER BOLT	5
027	DA016040748	CYLINDER BOLT	5
027	DA016040748	CYLINDER BOLT	5
028	DA001052606	O-RING	1
028	DA001052606	O-RING	1
028	DA001052606	O-RING	1
029	DA7231405303	SHEET	1
029	DA7231405303	SHEET	1
029	DA7231405303	SHEET	1
030	DA016010378	BOLT	4
030	DA016010378	BOLT	4
030	DA016010378	BOLT	4

04. CHASSIS

CHASSIS (PART 1)

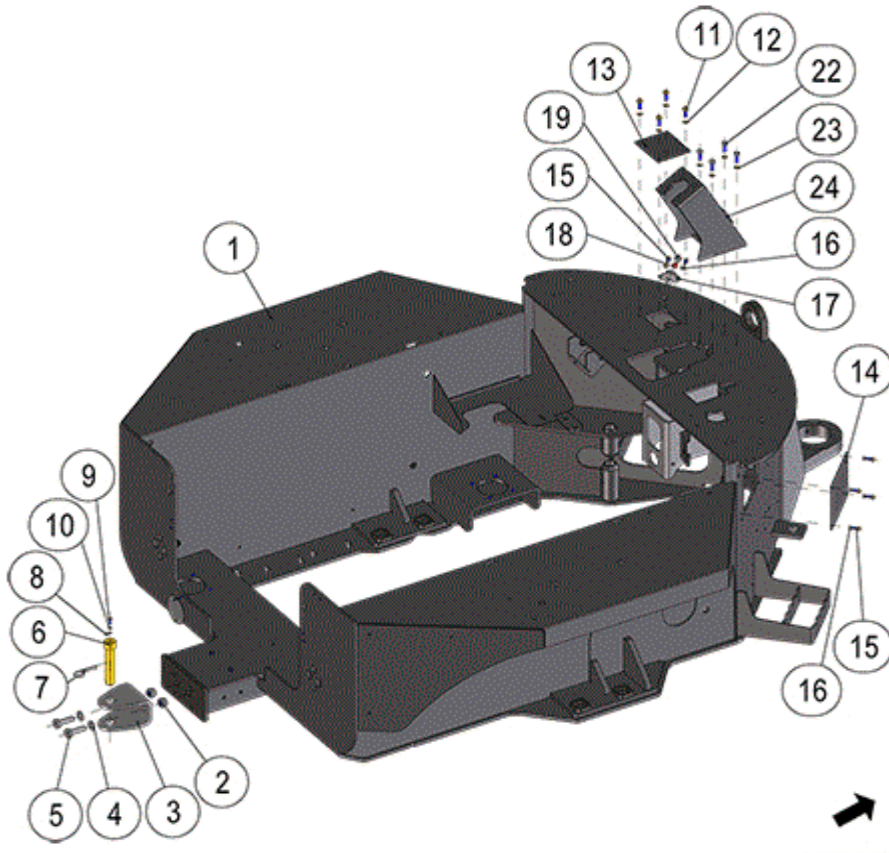


FIGURE	REFERENCE	DENOMINATION	AMOUNT
001	65.04102.05	REAR CHASIS 1964X1695X682	1
001	65.04102.05	REAR CHASIS 1964X1695X682	1
001	65.04102.05	REAR CHASIS 1964X1695X682	1
002	711.14000.66	NUT DIN982 M14 8.8 K	2
002	711.14000.66	NUT DIN982 M14 8.8 K	2
002	711.14000.66	NUT DIN982 M14 8.8 K	2
003	70.08090.00	support 80X100X125	1
003	70.08090.00	support 80X100X125	1
003	70.08090.00	support 80X100X125	1
004	101.14000.66	WASHER DIN125 D14	2
004	101.14000.66	WASHER DIN125 D14	2
004	101.14000.66	WASHER DIN125 D14	2
005	603.14045.86	SCREW DIN933 M14x45	2
005	603.14045.86	SCREW DIN933 M14x45	2
005	603.14045.86	SCREW DIN933 M14x45	2
006	15.00835.00	AXLE CPA/GRA 25x30x135	1
006	15.00835.00	AXLE CPA/GRA 25x30x135	1
006	15.00835.00	AXLE CPA/GRA 25x30x135	1

04. CHASSIS

CHASSIS (PART 1)

FIGURE	REFERENCE	DENOMINATION	AMOUNT
007	15.00836.00	PIN DIN11024 R4	1
007	15.00836.00	PIN DIN11024 R4	1
007	15.00836.00	PIN DIN11024 R4	1
008	15.00834.00	CHAIN	1
008	15.00834.00	CHAIN	1
008	15.00834.00	CHAIN	1
009	603.05015.86	SCREW DIN933	1
009	603.05015.86	SCREW DIN933	1
009	603.05015.86	SCREW DIN933	1
010	701.05000.66	NUT DIN934 M5x0.8	1
010	701.05000.66	NUT DIN934 M5x0.8	1
010	701.05000.66	NUT DIN934 M5x0.8	1
011	630.08025.96	SCREW ISO7380	4
011	630.08025.96	SCREW ISO7380	4
011	630.08025.96	SCREW ISO7380	4
012	104.08000.00	WASHER DIN7980 D8	10
012	104.08000.00	WASHER DIN7980 D8	10
012	104.08000.00	WASHER DIN7980 D8	10
013	65.04188.00	COVER 115x100x2	1
013	65.04188.00	COVER 115x100x2	1
013	65.04188.00	COVER 115x100x2	1
014	65.04187.00	COVER 180x144x2	1
014	65.04187.00	COVER 180x144x2	1
014	65.04187.00	COVER 180x144x2	1
015	603.06015.86	SCREW DIN933 M6x15	4
015	603.06015.86	SCREW DIN933 M6x15	4
015	603.06015.86	SCREW DIN933 M6x15	4
016	104.06000.00	WASHER DIN7980 D6	6
016	104.06000.00	WASHER DIN7980 D6	6
016	104.06000.00	WASHER DIN7980 D6	6
017	64.10187.00		1
017	64.10187.00		1
017	64.10187.00		1
018	43.50129.00	CAP	1
018	43.50129.00	CAP	1
018	43.50129.00	CAP	1

04. CHASSIS

CHASSIS (PART 1)

FIGURE	REFERENCE	DENOMINATION	AMOUNT
019	64.10189.00		1
019	64.10189.00		1
019	64.10189.00		1

04. CHASSIS

CHASSIS (PART 2)

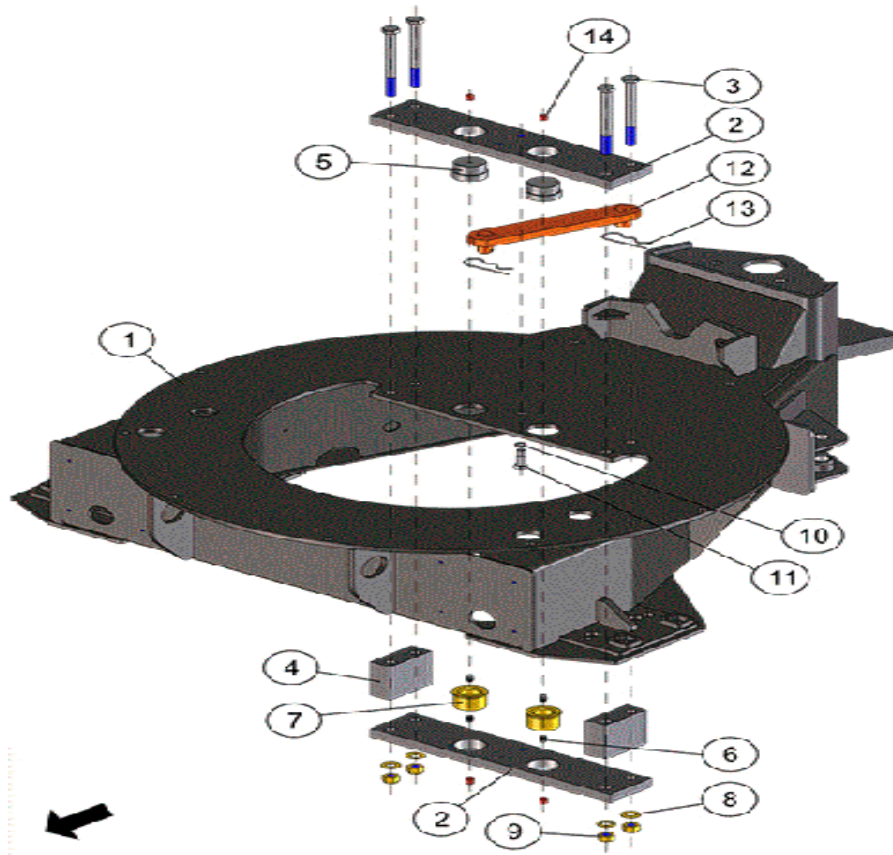


FIGURE	REFERENCE	DENOMINATION	AMOUNT
001	65.04100.05	TRILATERAL CHASSIS 1347X1087X4	1
002	64.04226.00	SUPPORT 25x100x490, FIXING	2
002	64.04226.00	SUPPORT 25x100x490, FIXING	2
002	64.04226.00	SUPPORT 25x100x490, FIXING	2
003	604.16190.97	SCREW DIN931 M16X190 12K	4
003	604.16190.97	SCREW DIN931 M16X190 12K	4
003	604.16190.97	SCREW DIN931 M16X190 12K	4
004	64.04227.00	SUPPORT 50x100x100, FIXING	2
004	64.04227.00	SUPPORT 50x100x100, FIXING	2
004	64.04227.00	SUPPORT 50x100x100, FIXING	2
005	64.04229.01	BUSHING 32x51x56	2
005	64.04229.01	BUSHING 32x51x56	2
005	64.04229.01	BUSHING 32x51x56	2
006	901.08000.33	GREASER DIN71412-A M8x1,25	4
006	901.08000.33	GREASER DIN71412-A M8x1,25	4
006	901.08000.33	GREASER DIN71412-A M8x1,25	4
007	64.04228.00	BUSHING 9,5x32x51	2
007	64.04228.00	BUSHING 9,5x32x51	2

04. CHASSIS

CHASSIS (PART 2)

FIGURE	REFERENCE	DENOMINATION	AMOUNT
007	64.04228.00	BUSHING 9,5x32x51	2
008	101.16000.66	WASHER DIN125 D16	4
008	101.16000.66	WASHER DIN125 D16	4
008	101.16000.66	WASHER DIN125 D16	4
009	711.16000.86	NUT DIN982 M16 C8	4
009	711.16000.86	NUT DIN982 M16 C8	4
009	711.16000.86	NUT DIN982 M16 C8	4
010	104.12000.00	WASHER DIN7980 D12	1
010	104.12000.00	WASHER DIN7980 D12	1
010	104.12000.00	WASHER DIN7980 D12	1
011	604.12045.86	SCREW DIN931	1
011	604.12045.86	SCREW DIN931	1
011	604.12045.86	SCREW DIN931	1
012	64.06223.00	CON ROD 50x55x300	1
012	64.06223.00	CON ROD 50x55x300	1
012	64.06223.00	CON ROD 50x55x300	1
013	15.00836.02	PIN	2
013	15.00836.02	PIN	2
013	15.00836.02	PIN	2

04. CHASSIS

CHASSIS AXLE

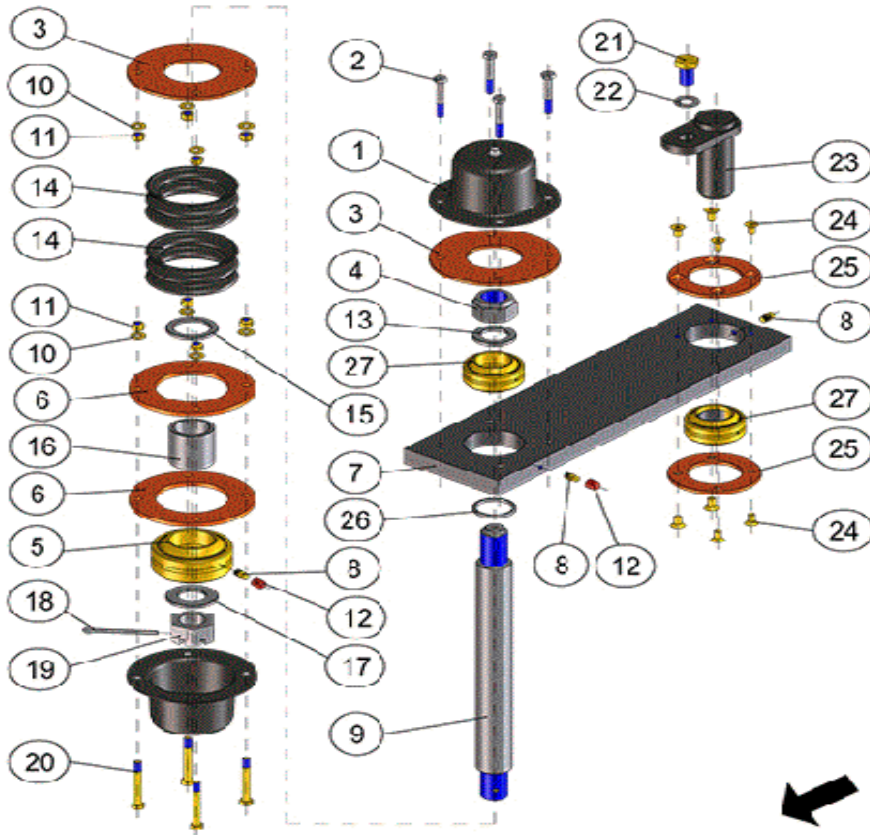


FIGURE	REFERENCE	DENOMINATION	AMOUNT
001	64.06210.02	COVER Ø93X145	2
001	64.06210.02	COVER Ø93X145	2
001	64.06210.02	COVER Ø93X145	2
002	604.08060.86	SCREW DIN931 M8x60	4
002	604.08060.86	SCREW DIN931 M8x60	4
002	604.08060.86	SCREW DIN931 M8x60	4
003	65.04142.00	COVER 145x5	2
003	65.04142.00	COVER 145x5	2
003	65.04142.00	COVER 145x5	2
004	720.30002.66	nut	1
004	720.30002.66	nut	1
004	720.30002.66	nut	1
005	941.50056.00	BUSHING	1
005	941.50056.00	BUSHING	1
005	941.50056.00	BUSHING	1
006	65.04143.00	COVER 140x6	1
006	65.04143.00	COVER 140x6	1
006	65.04143.00	COVER 140x6	1

04. CHASSIS

CHASSIS AXLE

FIGURE	REFERENCE	DENOMINATION	AMOUNT
007	65.04141.01	CON ROD 68x507	1
007	65.04141.01	CON ROD 68x507	1
007	65.04141.01	CON ROD 68x507	1
008	901.08000.33	GREASER DIN71412-A M8x1,25	3
008	901.08000.33	GREASER DIN71412-A M8x1,25	3
008	901.08000.33	GREASER DIN71412-A M8x1,25	3
009	65.04144.00	AXLE	1
009	65.04144.00	AXLE	1
009	65.04144.00	AXLE	1
010	101.08000.66	WASHER DIN125 D8	8
010	101.08000.66	WASHER DIN125 D8	8
010	101.08000.66	WASHER DIN125 D8	8
011	711.08000.66	NUT DIN982 M8	8
011	711.08000.66	NUT DIN982 M8	8
011	711.08000.66	NUT DIN982 M8	8
012	43.50129.00	CAP	2
012	43.50129.00	CAP	2
012	43.50129.00	CAP	2
013	65.04148.00	WASHER 31x48x5	1
013	65.04148.00	WASHER 31x48x5	1
013	65.04148.00	WASHER 31x48x5	1
014	64.06214.00	DUST EXCLUDER 43x103	2
014	64.06214.00	DUST EXCLUDER 43x103	2
014	64.06214.00	DUST EXCLUDER 43x103	2
015	65.04149.00	WASHER 41x57x4.5	1
015	65.04149.00	WASHER 41x57x4.5	1
015	65.04149.00	WASHER 41x57x4.5	1
016	65.04145.00	BUSHING 40x50x56	1
016	65.04145.00	BUSHING 40x50x56	1
016	65.04145.00	BUSHING 40x50x56	1
017	65.04147.00	WASHER 31x57x4.5	1
017	65.04147.00	WASHER 31x57x4.5	1
017	65.04147.00	WASHER 31x57x4.5	1
018	401.06070.60	PIN DIN94 6x70	1
018	401.06070.60	PIN DIN94 6x70	1
018	401.06070.60	PIN DIN94 6x70	1

04. CHASSIS

CHASSIS AXLE

FIGURE	REFERENCE	DENOMINATION	AMOUNT
019	01.01319.00	NUT DIN935 M30x2x30	1
019	01.01319.00	NUT DIN935 M30x2x30	1
019	01.01319.00	NUT DIN935 M30x2x30	1
020	604.08070.86	SCREW DIN931	4
020	604.08070.86	SCREW DIN931	4
020	604.08070.86	SCREW DIN931	4
021	603.16030.86	BOLT DIN933 M16x30	1
021	603.16030.86	BOLT DIN933 M16x30	1
021	603.16030.86	BOLT DIN933 M16x30	1
022	105.16000.66	EQUIV.104.16000.00	1
022	105.16000.66	EQUIV.104.16000.00	1
022	105.16000.66	EQUIV.104.16000.00	1
023	64.06224.00	SPINDLE 40x120	1
023	64.06224.00	SPINDLE 40x120	1
023	64.06224.00	SPINDLE 40x120	1
024	618.08016.86	FLAT HEAD SOCKET CAP SCREW DIN7991 M8x16	8
024	618.08016.86	FLAT HEAD SOCKET CAP SCREW DIN7991 M8x16	8
024	618.08016.86	FLAT HEAD SOCKET CAP SCREW DIN7991 M8x16	8
025	64.06219.00	COVER 6x104	2
025	64.06219.00	COVER 6x104	2
025	64.06219.00	COVER 6x104	2
026	65.04146.00	WASHER 41x48x5	1
026	65.04146.00	WASHER 41x48x5	1
026	65.04146.00	WASHER 41x48x5	1
027	941.40040.00	BUSHING	2
027	941.40040.00	BUSHING	2
027	941.40040.00	BUSHING	2

05. BRAKE ACTIVATION FOOT BRAKE

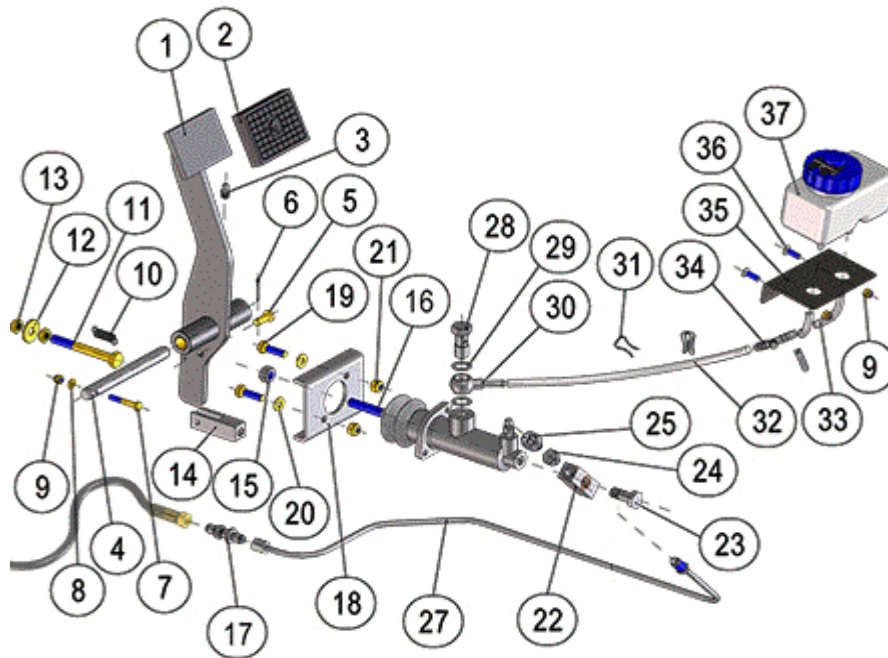


FIGURE	REFERENCE	DENOMINATION	AMOUNT
001	65.05111.00	PEDAL, BRAKE	1
001	65.05111.00	PEDAL, BRAKE	1
001	65.05111.00	PEDAL, BRAKE	1
002	43.07310.01	PANEL	1
002	43.07310.01	PANEL	1
002	43.07310.01	PANEL	1
003	901.08000.33	GREASER DIN71412-A M8x1,25	1
003	901.08000.33	GREASER DIN71412-A M8x1,25	1
003	901.08000.33	GREASER DIN71412-A M8x1,25	1
004	65.05113.00	SHAFT CYL/CYL 15x152	1
004	65.05113.00	SHAFT CYL/CYL 15x152	1
004	65.05113.00	SHAFT CYL/CYL 15x152	1
005	01.00514.02	AXLE CIL/CPA	1
005	01.00514.02	AXLE CIL/CPA	1
005	01.00514.02	AXLE CIL/CPA	1
006	401.02025.60	PIN DIN94 2x25	1
006	401.02025.60	PIN DIN94 2x25	1
006	401.02025.60	PIN DIN94 2x25	1

05. BRAKE ACTIVATION

FOOT BRAKE

FIGURE	REFERENCE	DENOMINATION	AMOUNT
007	604.06040.86	SCREW DIN931 M6x40	1
007	604.06040.86	SCREW DIN931 M6x40	1
007	604.06040.86	SCREW DIN931 M6x40	1
008	101.06000.66	WASHER DIN125 D6	1
008	101.06000.66	WASHER DIN125 D6	1
008	101.06000.66	WASHER DIN125 D6	1
009	711.06000.66	NUT DIN982 M6	3
009	711.06000.66	NUT DIN982 M6	3
009	711.06000.66	NUT DIN982 M6	3
010	01.00139.00	SPRING TENSION	1
010	01.00139.00	SPRING TENSION	1
010	01.00139.00	SPRING TENSION	1
011	604.10090.86	NUT	1
011	604.10090.86	NUT	1
011	604.10090.86	NUT	1
012	112.10000.66	WASHER DIN9021 D10	1
012	112.10000.66	WASHER DIN9021 D10	1
012	112.10000.66	WASHER DIN9021 D10	1
013	701.10000.66	NUT DIN934 M10x1.5	2
013	701.10000.66	NUT DIN934 M10x1.5	2
013	701.10000.66	NUT DIN934 M10x1.5	2
014	01.00564.01	ART. FORK	1
014	01.00564.01	ART. FORK	1
014	01.00564.01	ART. FORK	1
015	01.01304.00	NUT	1
015	01.01304.00	NUT	1
015	01.01304.00	NUT	1
016	65.05119.00	FOOTPUMP 1 1-16 36,5	1
016	65.05119.00	FOOTPUMP 1 1-16 36,5	1
016	65.05119.00	FOOTPUMP 1 1-16 36,5	1
017	64.05123.00	FITTING M/M	1
017	64.05123.00	FITTING M/M	1
017	64.05123.00	FITTING M/M	1
018	65.41800.00	SUPPORT	1
018	65.41800.00	SUPPORT	1
018	65.41800.00	SUPPORT	1

05. BRAKE ACTIVATION

FOOT BRAKE

FIGURE	REFERENCE	DENOMINATION	AMOUNT
019	603.08030.86	SCREW DIN933 M8X30	2
019	603.08030.86	SCREW DIN933 M8X30	2
019	603.08030.86	SCREW DIN933 M8X30	2
020	101.08000.66	WASHER DIN125 D8	2
020	101.08000.66	WASHER DIN125 D8	2
020	101.08000.66	WASHER DIN125 D8	2
021	711.08000.66	NUT DIN982 M8	2
021	711.08000.66	NUT DIN982 M8	2
021	711.08000.66	NUT DIN982 M8	2
022	55.00758.00	NIPPLE	1
022	55.00758.00	NIPPLE	1
022	55.00758.00	NIPPLE	1
023	55.00757.20	NIPPLE SCREW SIM.	1
023	55.00757.20	NIPPLE SCREW SIM.	1
023	55.00757.20	NIPPLE SCREW SIM.	1
024	80.01090.00	CAP	1
024	80.01090.00	CAP	1
024	80.01090.00	CAP	1
025	43.01520.00	BRAKE FLUID SWITCH	1
025	43.01520.00	BRAKE FLUID SWITCH	1
025	43.01520.00	BRAKE FLUID SWITCH	1
027	65.05116.00	HYDRAULIC STEEL PIPE, BUNDY 4 524X149,5X81	1
027	65.05116.00	HYDRAULIC STEEL PIPE, BUNDY 4 524X149,5X81	1
027	65.05116.00	HYDRAULIC STEEL PIPE, BUNDY 4 524X149,5X81	1
028	67.05101.00		1
028	67.05101.00		1
028	67.05101.00		1
029	106.16000.20	WASHER CU 16x22x1,5	2
029	106.16000.20	WASHER CU 16x22x1,5	2
029	106.16000.20	WASHER CU 16x22x1,5	2
030	67.05102.00		1
030	67.05102.00		1
030	67.05102.00		1
031	948.01107.00	CLAMP SPRING	3
031	948.01107.00	CLAMP SPRING	3
031	948.01107.00	CLAMP SPRING	3

05. BRAKE ACTIVATION

FOOT BRAKE

FIGURE	REFERENCE	DENOMINATION	AMOUNT
032	469.15009.00	PLASTIC HOSE 6X9	1
032	469.15009.00	PLASTIC HOSE 6X9	1
032	469.15009.00	PLASTIC HOSE 6X9	1
034	46.02199.00	RACOR FORT M/M/M D8XD8XD8	1
034	46.02199.00	RACOR FORT M/M/M D8XD8XD8	1
034	46.02199.00	RACOR FORT M/M/M D8XD8XD8	1
035	65.05133.00		1
035	65.05133.00		1
035	65.05133.00		1
036	618.06020.86	SCREW DIN7991	2
036	618.06020.86	SCREW DIN7991	2
036	618.06020.86	SCREW DIN7991	2
037	65.05150.00		1
037	65.05150.00		1
037	65.05150.00		1

05. BRAKE ACTIVATION TUBES

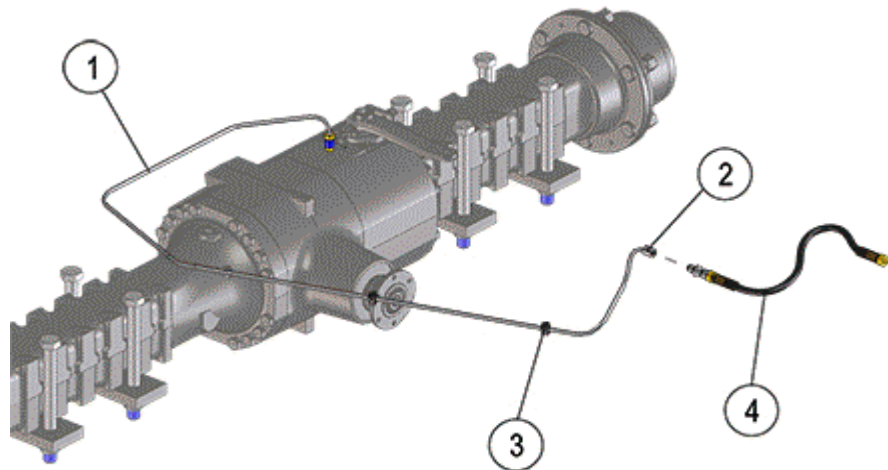


FIGURE	REFERENCE	DENOMINATION	AMOUNT
001	65.05115.00	HYDRAULIC STEEL PIPE, BUNDY 4 816X321X248	1
001	65.05115.00	HYDRAULIC STEEL PIPE, BUNDY 4 816X321X248	1
001	65.05115.00	HYDRAULIC STEEL PIPE, BUNDY 4 816X321X248	1
002	64.05118.00	HYDRAULIC STEEL PIPE, BUNDY 4 1183X417X240	1
002	64.05118.00	HYDRAULIC STEEL PIPE, BUNDY 4 1183X417X240	1
002	64.05118.00	HYDRAULIC STEEL PIPE, BUNDY 4 1183X417X240	1
003	929.05000.00	TUBE GUIDE SUPPORT	3
003	929.05000.00	TUBE GUIDE SUPPORT	3
003	929.05000.00	TUBE GUIDE SUPPORT	3
004	64.05119.00	HOSE, FLEXIBLE DR7 408	1
004	64.05119.00	HOSE, FLEXIBLE DR7 408	1
004	64.05119.00	HOSE, FLEXIBLE DR7 408	1

05. BRAKE ACTIVATION HANDBRAKE (PART 1)

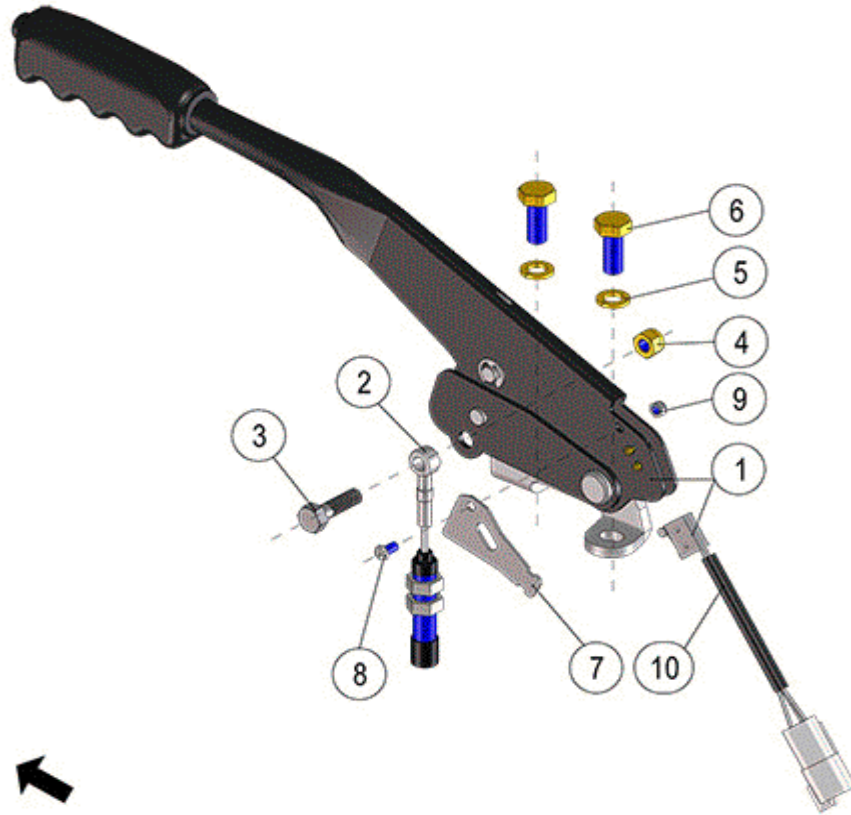


FIGURE	REFERENCE	DENOMINATION	AMOUNT
001	63.05010.01	BRAKE LEVER ACTUATION	1
001	63.05010.01	BRAKE LEVER ACTUATION	1
001	63.05010.01	BRAKE LEVER ACTUATION	1
002	64.05113.05	BRAKE CABLE, DANA 4x3850	1
002	64.05113.05	BRAKE CABLE, DANA 4x3850	1
002	64.05113.05	BRAKE CABLE, DANA 4x3850	1
003	603.08030.86	SCREW DIN933 M8X30	1
003	603.08030.86	SCREW DIN933 M8X30	1
003	603.08030.86	SCREW DIN933 M8X30	1
004	711.08000.66	NUT DIN982 M8	1
004	711.08000.66	NUT DIN982 M8	1
004	711.08000.66	NUT DIN982 M8	1
005	105.10000.66	WASHER DIN7980 D10	2
005	105.10000.66	WASHER DIN7980 D10	2
005	105.10000.66	WASHER DIN7980 D10	2
006	603.10025.86	SCREW DIN933 M10x25	2
006	603.10025.86	SCREW DIN933 M10x25	2
006	603.10025.86	SCREW DIN933 M10x25	2

05. BRAKE ACTIVATION HANDBRAKE (PART 1)

FIGURE	REFERENCE	DENOMINATION	AMOUNT
007	65.05225.00	WIRE FIXING BRACKET	1
007	65.05225.00	WIRE FIXING BRACKET	1
007	65.05225.00	WIRE FIXING BRACKET	1
008	630.05010.96	SCREW ISO7380	1
008	630.05010.96	SCREW ISO7380	1
008	630.05010.96	SCREW ISO7380	1
009	720.05000.66	NUT DIN985 M5	1
009	720.05000.66	NUT DIN985 M5	1
009	720.05000.66	NUT DIN985 M5	1
010	65.05223.00	HAND BRAKE SENSOR	1
010	65.05223.00	HAND BRAKE SENSOR	1
010	65.05223.00	HAND BRAKE SENSOR	1

05. BRAKE ACTIVATION HANDBRAKE (PART 2)

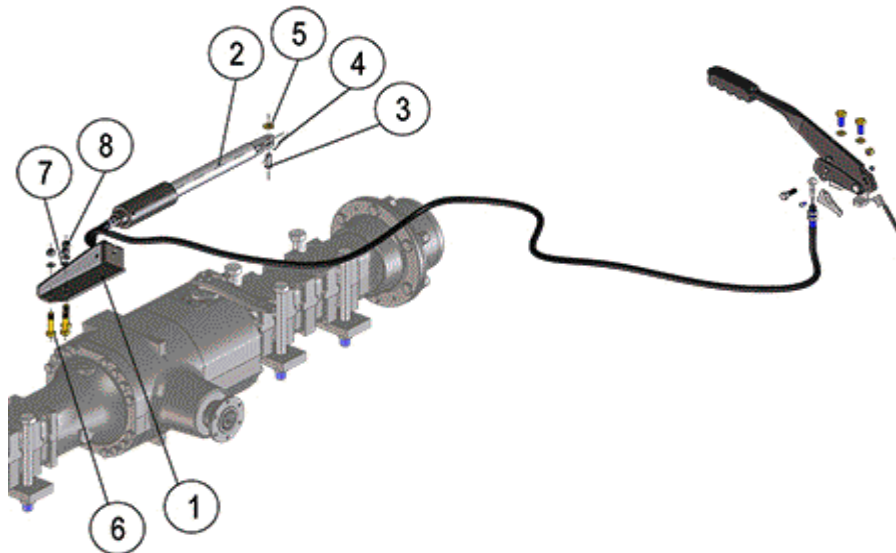


FIGURE	REFERENCE	DENOMINATION	AMOUNT
001	65.04190.00	SUPPORT	1
001	65.04190.00	SUPPORT	1
001	65.04190.00	SUPPORT	1
002	64.05113.05	BRAKE CABLE, DANA 4x3850	1
002	64.05113.05	BRAKE CABLE, DANA 4x3850	1
002	64.05113.05	BRAKE CABLE, DANA 4x3850	1
003	65.03117.00	PIN 9,8x28	1
003	65.03117.00	PIN 9,8x28	1
003	65.03117.00	PIN 9,8x28	1
004	401.02025.60	PIN DIN94 2x25	1
004	401.02025.60	PIN DIN94 2x25	1
004	401.02025.60	PIN DIN94 2x25	1
005	101.10000.66	WASHER DIN125 D10	1
005	101.10000.66	WASHER DIN125 D10	1
005	101.10000.66	WASHER DIN125 D10	1
006	604.10045.86	SCREW DIN931	3
006	604.10045.86	SCREW DIN931	3
006	604.10045.86	SCREW DIN931	3

05. BRAKE ACTIVATION HANDBRAKE (PART 2)

FIGURE	REFERENCE	DENOMINATION	AMOUNT
007	101.10000.66	WASHER DIN125 D10	3
007	101.10000.66	WASHER DIN125 D10	3
007	101.10000.66	WASHER DIN125 D10	3
008	711.10000.66	SHOCK ABSORBER	3
008	711.10000.66	SHOCK ABSORBER	3
008	711.10000.66	SHOCK ABSORBER	3

06. STEERING

STEERING (PART 1)

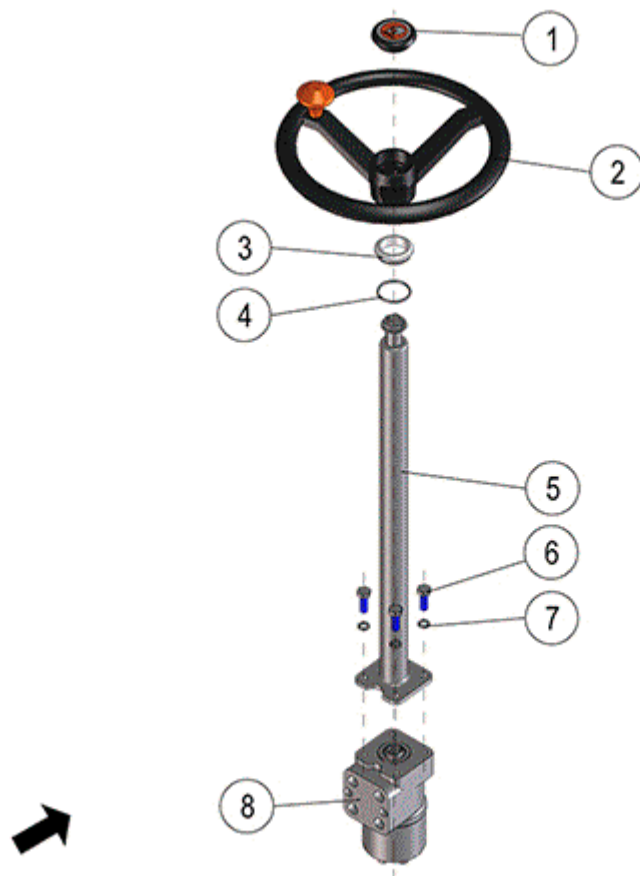


FIGURE	REFERENCE	DENOMINATION	AMOUNT
001	00.00626.05	TRIM	1
002	15.01016.01	STEERING WHEEL D21-315 WITH POMMEL	1
003	15.20727.01	NYLON BEARING 17X38X52	1
004	201.03953.50	O-RING DIN3770 D39.5XD3	1
005	65.06212.00	STEERING COLUMN	1
006	603.10030.87	SCREW DIN 933 M10x30	4
007	104.10000.00	WASHER DIN7980 D10	4
008	65.06231.00	HYDRAULIC STEERING	1

06. STEERING STEERING (PART 2)

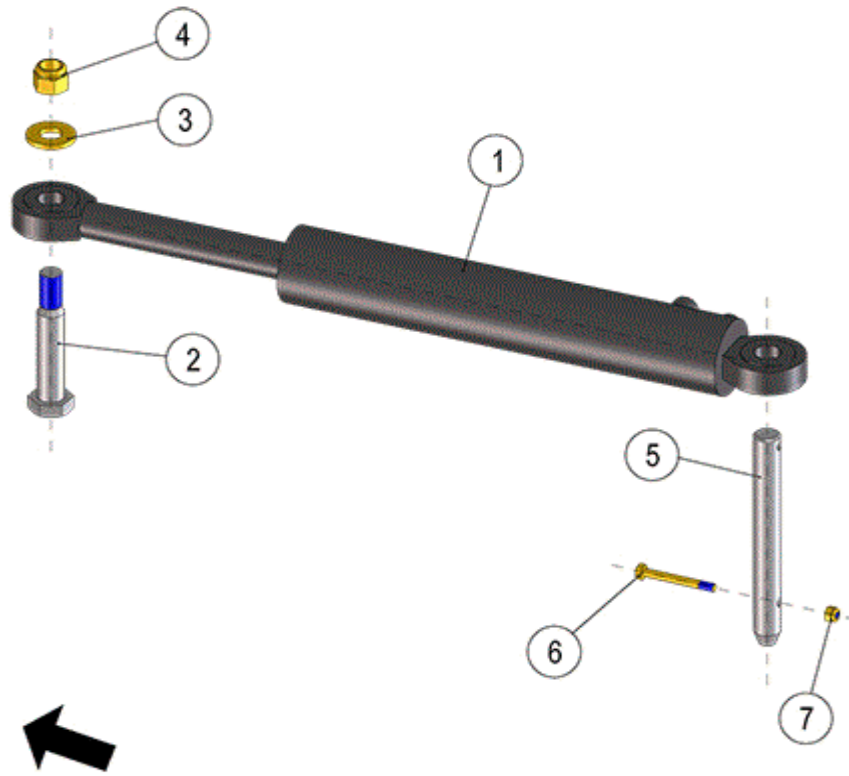


FIGURE	REFERENCE	DENOMINATION	AMOUNT
001	65.06210.00	CYLINDER	1
001	65.06210.00	CYLINDER	1
001	65.06210.00	CYLINDER	1
002	64.04225.00	SHAFT 36x20x140	1
002	64.04225.00	SHAFT 36x20x140	1
002	64.04225.00	SHAFT 36x20x140	1
003	15.00561.00	WASHER DIN125 20.5x45x5	1
003	15.00561.00	WASHER DIN125 20.5x45x5	1
003	15.00561.00	WASHER DIN125 20.5x45x5	1
004	711.20000.66	NUT	1
004	711.20000.66	NUT	1
004	711.20000.66	NUT	1
005	65.06213.00	SHAFT CYL/CYL 25x220	1
005	65.06213.00	SHAFT CYL/CYL 25x220	1
005	65.06213.00	SHAFT CYL/CYL 25x220	1
006	604.08070.86	SCREW DIN931	1
006	604.08070.86	SCREW DIN931	1
006	604.08070.86	SCREW DIN931	1

06. STEERING

STEERING (PART 2)

FIGURE	REFERENCE	DENOMINATION	AMOUNT
007	711.08000.66	NUT DIN982 M8	1
007	711.08000.66	NUT DIN982 M8	1
007	711.08000.66	NUT DIN982 M8	1

07. WHEELS

WHEELS



FIGURE	REFERENCE	DENOMINATION	AMOUNT
001	65.07700DE00	RIGHT WHEEL 12.0/75-18	2
001	65.07700IZ00	LEFT WHEEL 12.0/75-18	2
002	65.07701.00	RIM	4

08. BODYWORK SHEETS (1)

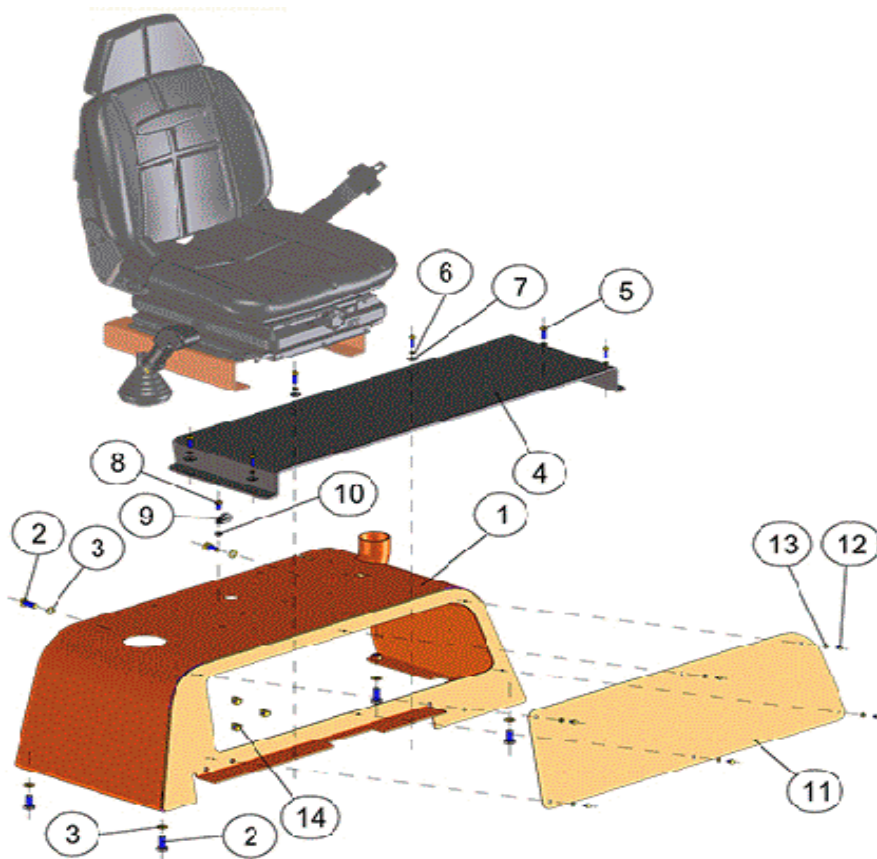


FIGURE	REFERENCE	DENOMINATION	AMOUNT
001	67.08130.00	FLANGE SEAT	1
001	67.08130.00	FLANGE SEAT	1
001	67.08130.00	FLANGE SEAT	1
002	603.12030.86	SCREW DIN933 M12x30	6
002	603.12030.86	SCREW DIN933 M12x30	6
002	603.12030.86	SCREW DIN933 M12x30	6
003	105.12000.66	WASHER DIN7980 D12	6
003	105.12000.66	WASHER DIN7980 D12	6
003	105.12000.66	WASHER DIN7980 D12	6
004	65.08119.00	COVER 1041x303x70	1
004	65.08119.00	COVER 1041x303x70	1
004	65.08119.00	COVER 1041x303x70	1
005	630.08025.96	SCREW ISO7380	6
005	630.08025.96	SCREW ISO7380	6
005	630.08025.96	SCREW ISO7380	6
006	105.08000.66	CIR-CLIP EXT. DIN7980 D8	6
006	105.08000.66	CIR-CLIP EXT. DIN7980 D8	6
006	105.08000.66	CIR-CLIP EXT. DIN7980 D8	6

08. BODYWORK

SHEETS (1)

FIGURE	REFERENCE	DENOMINATION	AMOUNT
007	112.08000.66	WASHER DIN9021 D8	6
007	112.08000.66	WASHER DIN9021 D8	6
007	112.08000.66	WASHER DIN9021 D8	6
008	603.08015.86	SCREW DIN933 M8x15	1
008	603.08015.86	SCREW DIN933 M8x15	1
008	603.08015.86	SCREW DIN933 M8x15	1
009	830.01408.00	LOOP CLAMP D14x8	1
009	830.01408.00	LOOP CLAMP D14x8	1
009	830.01408.00	LOOP CLAMP D14x8	1
010	711.08000.66	NUT DIN982 M8	1
010	711.08000.66	NUT DIN982 M8	1
010	711.08000.66	NUT DIN982 M8	1
011	67.08126.00	COVER	1
011	67.08126.00	COVER	1
011	67.08126.00	COVER	1
012	603.06010.86	SCREW DIN933 M6x10	6
012	603.06010.86	SCREW DIN933 M6x10	6
012	603.06010.86	SCREW DIN933 M6x10	6
013	105.06000.66	CIR-CLIP DIN7980	6
013	105.06000.66	CIR-CLIP DIN7980	6
013	105.06000.66	CIR-CLIP DIN7980	6
014	726.08003.66	NUT M8x3	3
014	726.08003.66	NUT M8x3	3
014	726.08003.66	NUT M8x3	3

08. BODYWORK SHEETS (2)

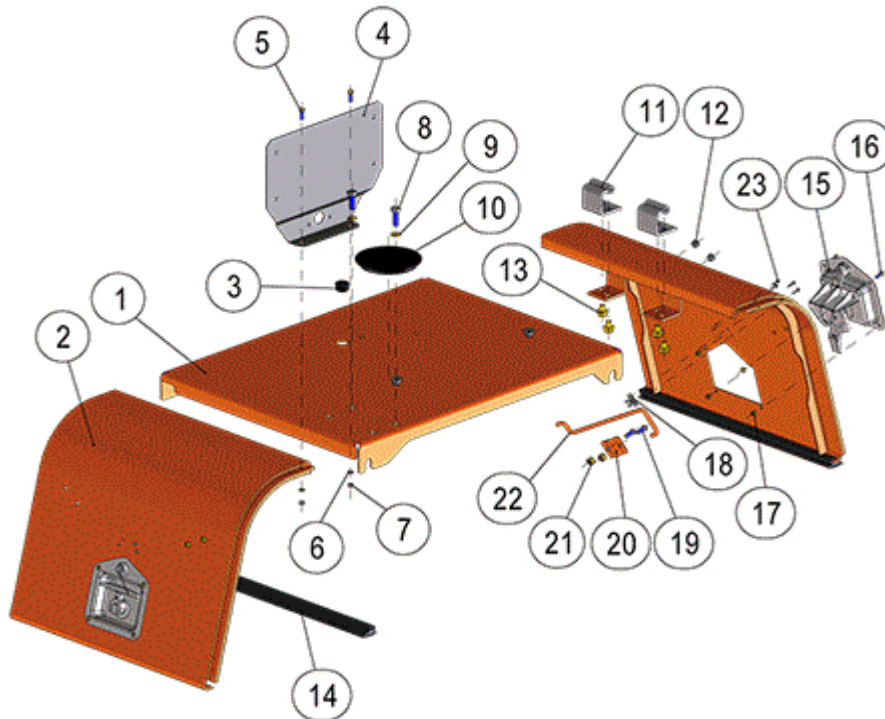


FIGURE	REFERENCE	DENOMINATION	AMOUNT
001	67.08111.00	COVER	1
001	67.08111.00	COVER	1
001	67.08111.00	COVER	1
002	16.00760.00	BUSH	1
002	16.00760.00	BUSH	1
002	16.00760.00	BUSH	1
003	02.32013.00	CAP	1
003	02.32013.00	CAP	1
003	02.32013.00	CAP	1
004	66.13300.00	NUMBER PLATE SUPPORT 250x196x30x1.5 (7022)	1
004	66.13300.00	NUMBER PLATE SUPPORT 250x196x30x1.5 (7022)	1
004	66.13300.00	NUMBER PLATE SUPPORT 250x196x30x1.5 (7022)	1
005	603.05015.86	SCREW DIN933	2
005	603.05015.86	SCREW DIN933	2
005	603.05015.86	SCREW DIN933	2
006	104.05000.00	WASHER DIN7980 D5	2
006	104.05000.00	WASHER DIN7980 D5	2
006	104.05000.00	WASHER DIN7980 D5	2

08. BODYWORK SHEETS (2)

FIGURE	REFERENCE	DENOMINATION	AMOUNT
007	701.05000.66	NUT DIN934 M5x0.8	2
007	701.05000.66	NUT DIN934 M5x0.8	2
007	701.05000.66	NUT DIN934 M5x0.8	2
008	603.08025.86	SCREW DIN933 M8x25	2
008	603.08025.86	SCREW DIN933 M8x25	2
008	603.08025.86	SCREW DIN933 M8x25	2
009	105.08000.66	CIR-CLIP EXT. DIN7980 D8	2
009	105.08000.66	CIR-CLIP EXT. DIN7980 D8	2
009	105.08000.66	CIR-CLIP EXT. DIN7980 D8	2
010	02.00757.01	CAP	1
010	02.00757.01	CAP	1
010	02.00757.01	CAP	1
011	64.08116.00	HINGE 8x40	2
011	64.08116.00	HINGE 8x40	2
011	64.08116.00	HINGE 8x40	2
012	67.08112.00	COVER	2
012	67.08112.00	COVER	2
012	67.08112.00	COVER	2
013	634.08010.86	SCREW DIN6921 M8x10	4
013	634.08010.86	SCREW DIN6921 M8x10	4
013	634.08010.86	SCREW DIN6921 M8x10	4
014	472.00410.00	RUBBER PROFILE 22X22	2
014	472.00410.00	RUBBER PROFILE 22X22	2
014	472.00410.00	RUBBER PROFILE 22X22	2
015	64.08119.00	CLOSING WITH KEY	2
015	64.08119.00	CLOSING WITH KEY	2
015	64.08119.00	CLOSING WITH KEY	2
016	615.04015.66	SCREW DIN84 M4x15	8
016	615.04015.66	SCREW DIN84 M4x15	8
016	615.04015.66	SCREW DIN84 M4x15	8
017	701.04000.66	NUT DIN934 M4	8
017	701.04000.66	NUT DIN934 M4	8
017	701.04000.66	NUT DIN934 M4	8
018	65.08121.00	HOSE CLAMP Ø6	1
018	65.08121.00	HOSE CLAMP Ø6	1
018	65.08121.00	HOSE CLAMP Ø6	1

08. BODYWORK

SHEETS (2)

FIGURE	REFERENCE	DENOMINATION	AMOUNT
019	630.06015.96	SCREW ISO7380 M6x15	2
019	630.06015.96	SCREW ISO7380 M6x15	2
019	630.06015.96	SCREW ISO7380 M6x15	2
020	65.08116.00	CLAMP 7	1
020	65.08116.00	CLAMP 7	1
020	65.08116.00	CLAMP 7	1
021	701.06000.66	NUT DIN934 M6X1	2
021	701.06000.66	NUT DIN934 M6X1	2
021	701.06000.66	NUT DIN934 M6X1	2
022	65.08115.00	ROD	1
022	65.08115.00	ROD	1
022	65.08115.00	ROD	1

08. BODYWORK CAB

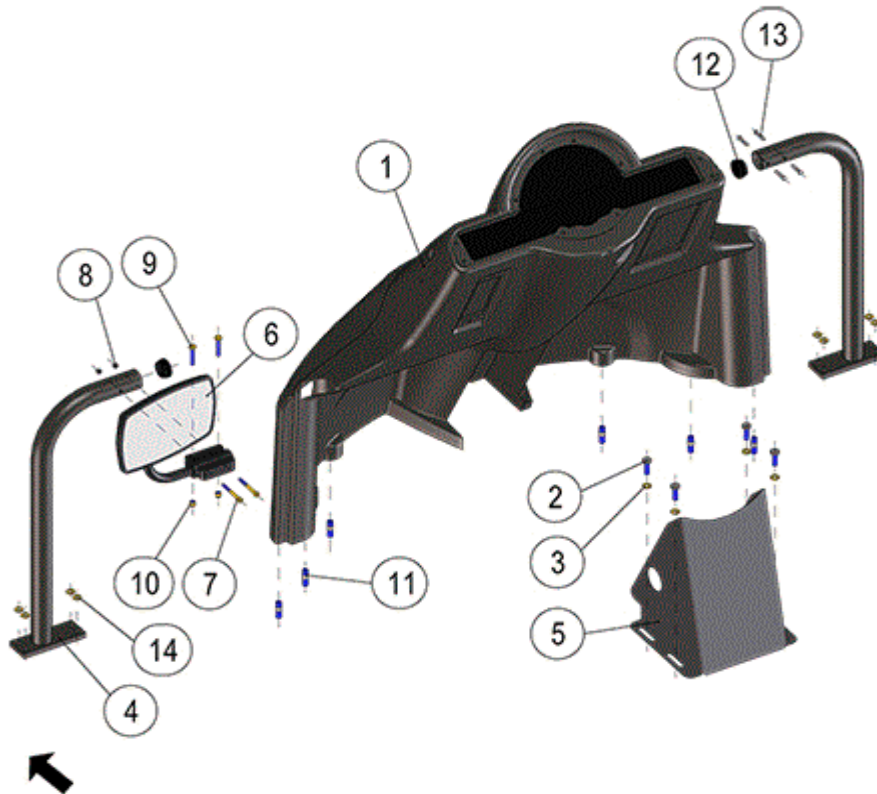


FIGURE	REFERENCE	DENOMINATION	AMOUNT
001	65.08211.01	DIRECTION SUPPORT PROTECTOR	1
001	65.08211.01	DIRECTION SUPPORT PROTECTOR	1
001	65.08211.01	DIRECTION SUPPORT PROTECTOR	1
002	603.08025.86	SCREW DIN933 M8x25	6
002	603.08025.86	SCREW DIN933 M8x25	6
002	603.08025.86	SCREW DIN933 M8x25	6
003	105.08000.66	CIR-CLIP EXT. DIN7980 D8	6
003	105.08000.66	CIR-CLIP EXT. DIN7980 D8	6
003	105.08000.66	CIR-CLIP EXT. DIN7980 D8	6
004	64.04412.00	TUBE, METALLIC	2
004	64.04412.00	TUBE, METALLIC	2
004	64.04412.00	TUBE, METALLIC	2
005	65.08212.00	COVER 280x224x223	1
005	65.08212.00	COVER 280x224x223	1
005	65.08212.00	COVER 280x224x223	1
006	09.11009.00	REARVIEW MIRROR COMPLETE ASSY	1
006	09.11009.00	REARVIEW MIRROR COMPLETE ASSY	1
006	09.11009.00	REARVIEW MIRROR COMPLETE ASSY	1

08. BODYWORK

CAB

FIGURE	REFERENCE	DENOMINATION	AMOUNT
007	601.05050.86	SCREW DIN912	2
007	601.05050.86	SCREW DIN912	2
007	601.05050.86	SCREW DIN912	2
008	711.05000.66	NUT DIN982 M5	2
008	711.05000.66	NUT DIN982 M5	2
008	711.05000.66	NUT DIN982 M5	2
009	603.06035.86	SCREW DIN933 M6x35	2
009	603.06035.86	SCREW DIN933 M6x35	2
009	603.06035.86	SCREW DIN933 M6x35	2
010	711.06000.66	NUT DIN982 M6	2
010	711.06000.66	NUT DIN982 M6	2
010	711.06000.66	NUT DIN982 M6	2
011	15.00435.01	STUD DIN938 33 M10x1.5	6
011	15.00435.01	STUD DIN938 33 M10x1.5	6
011	15.00435.01	STUD DIN938 33 M10x1.5	6
012	13.08035.00	COUNTERWEIGHT CAP	2
012	13.08035.00	COUNTERWEIGHT CAP	2
012	13.08035.00	COUNTERWEIGHT CAP	2
013	502.05025.60	RIVET DIN1476 5x25 (POP)	4
013	502.05025.60	RIVET DIN1476 5x25 (POP)	4
013	502.05025.60	RIVET DIN1476 5x25 (POP)	4

08. BODYWORK

ROPS ARCH



FIGURE	REFERENCE	DENOMINATION	AMOUNT
001	64.08180.00	ROPS	1
001	64.08180.00	ROPS	1
001	64.08180.00	ROPS	1
002	721.08003.66	NUT M8	2
002	721.08003.66	NUT M8	2
002	721.08003.66	NUT M8	2
003	70.08106.01	PIN SUPPORT 170X150X2	1
003	70.08106.01	PIN SUPPORT 170X150X2	1
003	70.08106.01	PIN SUPPORT 170X150X2	1
004	711.08000.66	NUT DIN982 M8	2
004	711.08000.66	NUT DIN982 M8	2
004	711.08000.66	NUT DIN982 M8	2
005	116.08000.00	WASHER DIN125 A D8	2
005	116.08000.00	WASHER DIN125 A D8	2
005	116.08000.00	WASHER DIN125 A D8	2
006	64.08175.00	CAP. Ø90 - 465.604 - BLACK	4
006	64.08175.00	CAP. Ø90 - 465.604 - BLACK	4
006	64.08175.00	CAP. Ø90 - 465.604 - BLACK	4

08. BODYWORK

ROPS ARCH

FIGURE	REFERENCE	DENOMINATION	AMOUNT
007	101.18000.66	BEARING DIN125 D18	7
007	101.18000.66	BEARING DIN125 D18	7
007	101.18000.66	BEARING DIN125 D18	7
008	64.08118.04	PROTECTOR ARCH	1
008	64.08118.04	PROTECTOR ARCH	1
008	64.08118.04	PROTECTOR ARCH	1
009	70.08104.00	PIN WITH CHAIN	2
009	70.08104.00	PIN WITH CHAIN	2
009	70.08104.00	PIN WITH CHAIN	2
010	603.18065.86	SCREW M9	4
010	603.18065.86	SCREW M9	4
010	603.18065.86	SCREW M9	4
011	101.16000.66	WASHER DIN125 D16	8
011	101.16000.66	WASHER DIN125 D16	8
011	101.16000.66	WASHER DIN125 D16	8
012	711.16000.66	NUT DIN982 M16 8.8 K	4
012	711.16000.66	NUT DIN982 M16 8.8 K	4
012	711.16000.66	NUT DIN982 M16 8.8 K	4
013	604.18070.86	SCREW DIN931	2
013	604.18070.86	SCREW DIN931	2
013	604.18070.86	SCREW DIN931	2
014	718.18000.66	NUT	2
014	718.18000.66	NUT	2
014	718.18000.66	NUT	2
015	64.08182.00		1
015	64.08182.00		1
015	64.08182.00		1
016	64.08181.00		1
016	64.08181.00		1
016	64.08181.00		1
017	10.11085.01	GAS SPRING 1600N	1
017	10.11085.01	GAS SPRING 1600N	1
017	10.11085.01	GAS SPRING 1600N	1
018	64.08148.00	GAS SPRING SUPPORT	1
018	64.08148.00	GAS SPRING SUPPORT	1
018	64.08148.00	GAS SPRING SUPPORT	1

08. BODYWORK

JOYSTICK LEVER

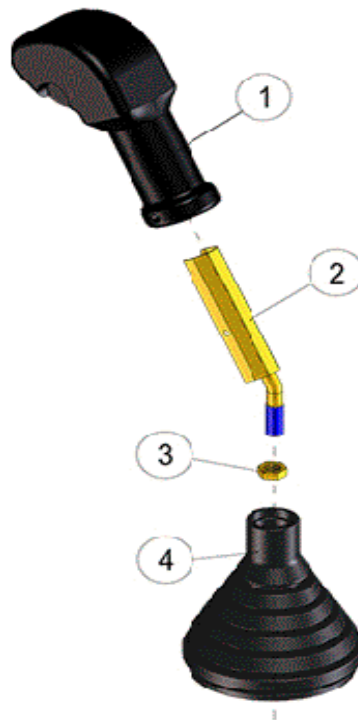


FIGURE	REFERENCE	DENOMINATION	AMOUNT
001	66.11108.01		1
001	66.11108.01		1
001	66.11108.01		1
002	10.13154.02	AXIS CIL/ROS 180XD25XM10	1
002	10.13154.02	AXIS CIL/ROS 180XD25XM10	1
002	10.13154.02	AXIS CIL/ROS 180XD25XM10	1
003	701.10000.66	NUT DIN934 M10x1.5	1
003	701.10000.66	NUT DIN934 M10x1.5	1
003	701.10000.66	NUT DIN934 M10x1.5	1
004	43.50349.00	DUST PROTECTOR	1
004	43.50349.00	DUST PROTECTOR	1
004	43.50349.00	DUST PROTECTOR	1

08. BODYWORK SEAT



FIGURE	REFERENCE	DENOMINATION	AMOUNT
001	66.08240.00	REDUCED HEIGHT SEAT WITH SENSOR	1
001	66.08240.00	REDUCED HEIGHT SEAT WITH SENSOR	1
001	66.08240.00	REDUCED HEIGHT SEAT WITH SENSOR	1
002	67.08125.00	SEAT FIXATION SUPPORT	1
002	67.08125.00	SEAT FIXATION SUPPORT	1
002	67.08125.00	SEAT FIXATION SUPPORT	1
003	101.08000.66	WASHER DIN125 D8	4
003	101.08000.66	WASHER DIN125 D8	4
003	101.08000.66	WASHER DIN125 D8	4
004	711.08000.66	NUT DIN982 M8	4
004	711.08000.66	NUT DIN982 M8	4
004	711.08000.66	NUT DIN982 M8	4
005	66.08241.00	ORANGE SEAT BELT WITH SENSOR	1

08. BODYWORK COUNTERWEIGHT

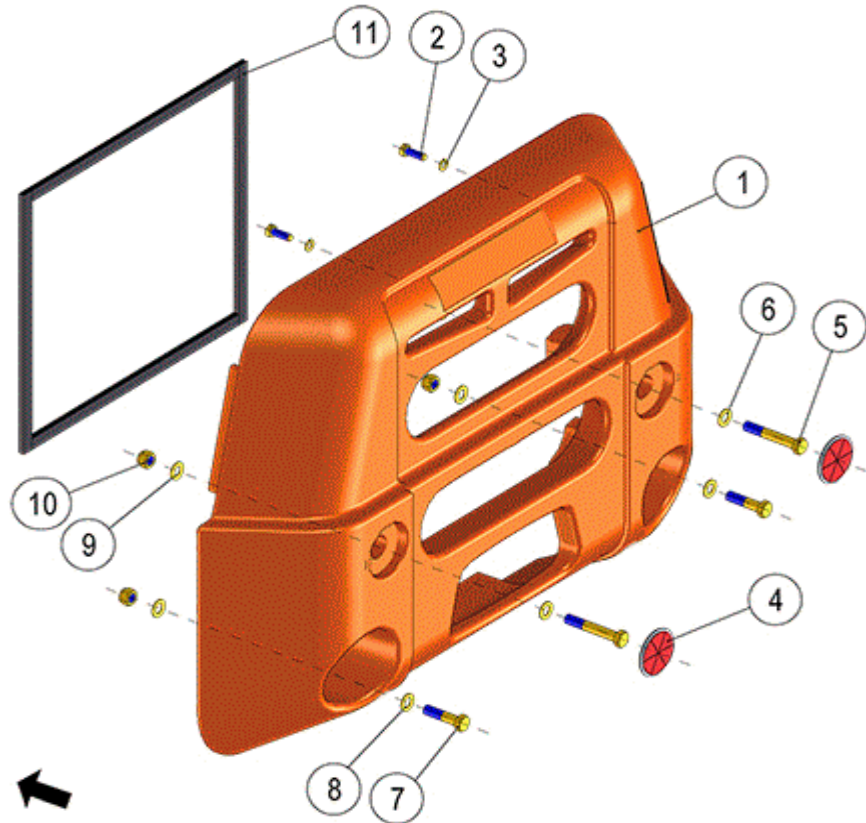


FIGURE	REFERENCE	DENOMINATION	AMOUNT
001	65.08310.01	ENGINE BALANCE WEIGHT 203KG	1
001	65.08310.01	ENGINE BALANCE WEIGHT 203KG	1
001	65.08310.01	ENGINE BALANCE WEIGHT 203KG	1
002	603.12035.86	SCREW DIN933	2
002	603.12035.86	SCREW DIN933	2
002	603.12035.86	SCREW DIN933	2
003	105.12000.66	WASHER DIN7980 D12	2
003	105.12000.66	WASHER DIN7980 D12	2
003	105.12000.66	WASHER DIN7980 D12	2
004	10.11017.00	RED REFLECTOR	2
004	10.11017.00	RED REFLECTOR	2
004	10.11017.00	RED REFLECTOR	2
005	604.16100.86	SCREW DIN931	2
005	604.16100.86	SCREW DIN931	2
005	604.16100.86	SCREW DIN931	2
006	101.16000.66	WASHER DIN125 D16	2
006	101.16000.66	WASHER DIN125 D16	2
006	101.16000.66	WASHER DIN125 D16	2

08. BODYWORK COUNTERWEIGHT

FIGURE	REFERENCE	DENOMINATION	AMOUNT
007	604.16065.86	BOLT DIN931 M16x65	2
007	604.16065.86	BOLT DIN931 M16x65	2
007	604.16065.86	BOLT DIN931 M16x65	2
008	101.16000.66	WASHER DIN125 D16	2
008	101.16000.66	WASHER DIN125 D16	2
008	101.16000.66	WASHER DIN125 D16	2
009	101.16000.66	WASHER DIN125 D16	4
009	101.16000.66	WASHER DIN125 D16	4
009	101.16000.66	WASHER DIN125 D16	4
010	711.16000.66	NUT DIN982 M16 8.8 K	4
010	711.16000.66	NUT DIN982 M16 8.8 K	4
010	711.16000.66	NUT DIN982 M16 8.8 K	4

09. MACHINE FUNCTIONS

HOPPER (01)

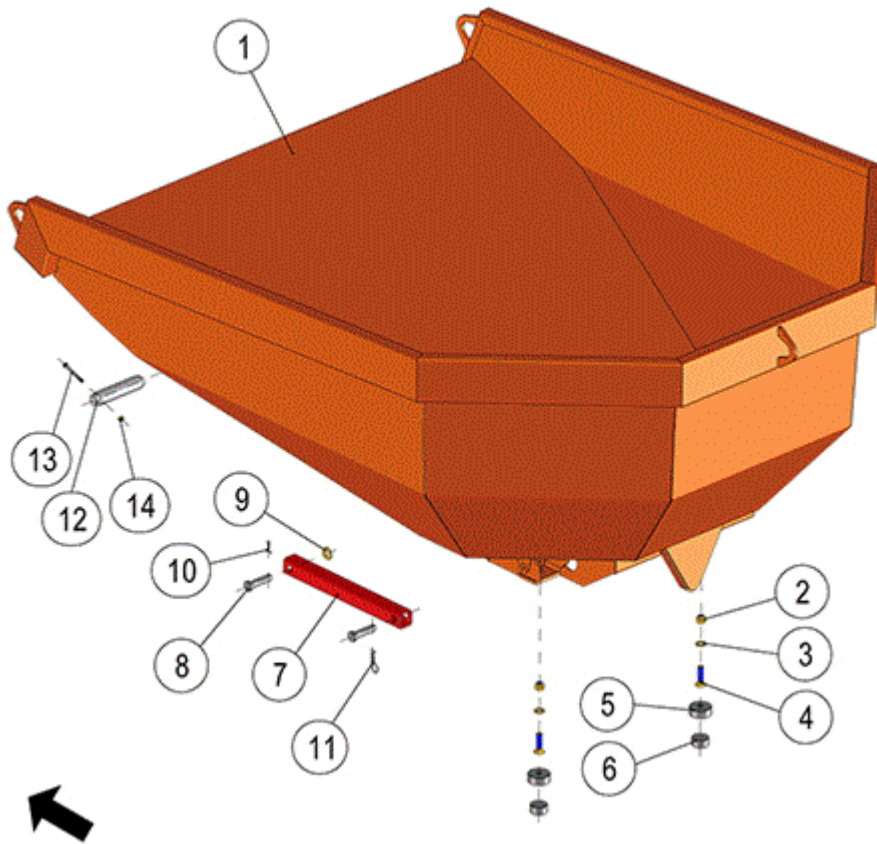


FIGURE	REFERENCE	DENOMINATION	AMOUNT
001	65.09200.00	SKIP D400AHG 1360L	1
002	711.16000.86	NUT DIN982 M16 C8	2
003	101.16000.66	WASHER DIN125 D16	2
004	618.16060.86	FLAT HEAD SOCKET CAP SCREW DIN7991 M16x60	2
005	20.03003.00	SHOCK ABSORVER SUPPORT	2
006	20.03002.00	BUTT	2
007	64.09215.00	SUPPORT 50x50x5, HOSE GUIDE	1
008	64.09216.00	SHAFT CYL/CYL 30x20x90	2
009	101.20000.66	WASHER DIN125	1
010	401.45040.60	SPLIT PIN DIN94	1
011	15.00836.00	PIN DIN11024 R4	1
012	65.09110.00	AXLE	1
013	603.08075.86	SCREW DIN933	1
014	711.08000.66	NUT DIN982 M8	1

09. MACHINE FUNCTIONS IMPLEMENTS

ROTATING HOPPER SUPPORT

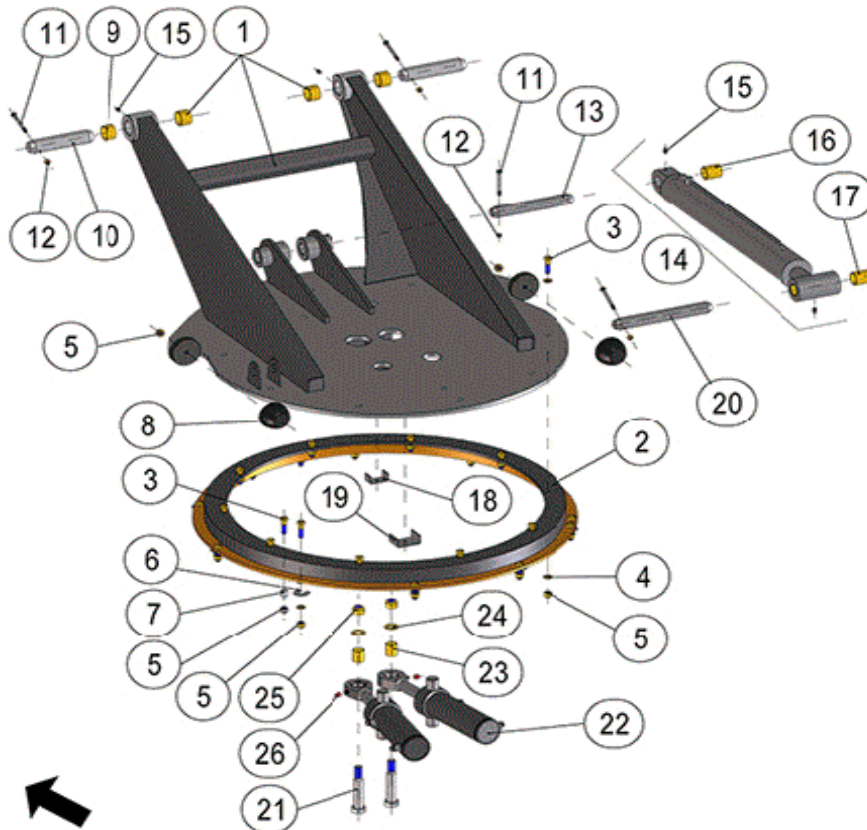


FIGURE	REFERENCE	DENOMINATION	AMOUNT
001	65.09600.02	SUPPORT 1378X1107X680	1
001	65.09600.02	SUPPORT 1378X1107X680	1
001	65.09600.02	SUPPORT 1378X1107X680	1
002	65.09621.00	WHEEL 1050x865x52	1
002	65.09621.00	WHEEL 1050x865x52	1
002	65.09621.00	WHEEL 1050x865x52	1
003	604.12045.96	SCREW DIN931 M12x45	23
003	604.12045.96	SCREW DIN931 M12x45	23
003	604.12045.96	SCREW DIN931 M12x45	23
004	101.12000.66	WASHER DIN125 D12	40
004	101.12000.66	WASHER DIN125 D12	40
004	101.12000.66	WASHER DIN125 D12	40
005	711.12000.86	NUT DIN982 M12 C8	25
005	711.12000.86	NUT DIN982 M12 C8	25
005	711.12000.86	NUT DIN982 M12 C8	25
006	64.09217.00	SUPPLEMENT 0.2x14	15
006	64.09217.00	SUPPLEMENT 0.2x14	15
006	64.09217.00	SUPPLEMENT 0.2x14	15

09. MACHINE FUNCTIONS IMPLEMENTS

ROTATING HOPPER SUPPORT

FIGURE	REFERENCE	DENOMINATION	AMOUNT
007	48.03456.00	CAP D18-D12-L20 DIN179	3
007	48.03456.00	CAP D18-D12-L20 DIN179	3
007	48.03456.00	CAP D18-D12-L20 DIN179	3
008	64.08021.00	PROGRESSIVE SHOCK ABSORBER	2
008	64.08021.00	PROGRESSIVE SHOCK ABSORBER	2
008	64.08021.00	PROGRESSIVE SHOCK ABSORBER	2
009	949.04030.00	BUSHING 40x44x30 DIN 1494	4
009	949.04030.00	BUSHING 40x44x30 DIN 1494	4
009	949.04030.00	BUSHING 40x44x30 DIN 1494	4
010	65.09110.00	AXLE	2
010	65.09110.00	AXLE	2
010	65.09110.00	AXLE	2
011	603.08075.86	SCREW DIN933	2
011	603.08075.86	SCREW DIN933	2
011	603.08075.86	SCREW DIN933	2
012	711.08000.66	NUT DIN982 M8	4
012	711.08000.66	NUT DIN982 M8	4
012	711.08000.66	NUT DIN982 M8	4
013	65.09623.00	CYL/CYL AXLE 35X248	1
013	65.09623.00	CYL/CYL AXLE 35X248	1
013	65.09623.00	CYL/CYL AXLE 35X248	1
014	65.09510.00	CYLINDER 72x1480	1
014	65.09510.00	CYLINDER 72x1480	1
014	65.09510.00	CYLINDER 72x1480	1
014.1	65.09511.00	SEAL KIT	1
015	901.08000.33	GREASER DIN71412-A M8x1,25	4
015	901.08000.33	GREASER DIN71412-A M8x1,25	4
015	901.08000.33	GREASER DIN71412-A M8x1,25	4
016	949.03520.00	BUSHING 35x39x20 DIN 1494	1
016	949.03520.00	BUSHING 35x39x20 DIN 1494	1
016	949.03520.00	BUSHING 35x39x20 DIN 1494	1
017	949.03550.00		2
017	949.03550.00		2
017	949.03550.00		2
018	64.10120.00	CLAMP U-FORM	1
018	64.10120.00	CLAMP U-FORM	1

09. MACHINE FUNCTIONS IMPLEMENTS

ROTATING HOPPER SUPPORT

FIGURE	REFERENCE	DENOMINATION	AMOUNT
018	64.10120.00	CLAMP U-FORM	1
019	70.10993.00		1
019	70.10993.00		1
019	70.10993.00		1
020	65.09623.00	CYL/CYL AXLE 35X248	1
020	65.09623.00	CYL/CYL AXLE 35X248	1
020	65.09623.00	CYL/CYL AXLE 35X248	1
021	64.04225.00	SHAFT 36x20x140	2
021	64.04225.00	SHAFT 36x20x140	2
021	64.04225.00	SHAFT 36x20x140	2
022	64.09214.03	CYLINDER D/E 70X152X351	2
022	64.09214.03	CYLINDER D/E 70X152X351	2
022	64.09214.03	CYLINDER D/E 70X152X351	2
022.1	64.09214.10	GASKET SET	1
023	64.04230.00	BUSHING 2.5x25x30	2
023	64.04230.00	BUSHING 2.5x25x30	2
023	64.04230.00	BUSHING 2.5x25x30	2
024	101.20000.66	WASHER DIN125	2
024	101.20000.66	WASHER DIN125	2
024	101.20000.66	WASHER DIN125	2
025	711.20000.66	NUT	2
025	711.20000.66	NUT	2
025	711.20000.66	NUT	2
026	43.50129.00	CAP	2
026	43.50129.00	CAP	2
026	43.50129.00	CAP	2

10. HYDRAULIC INSTALLATION DISTRIBUTOR

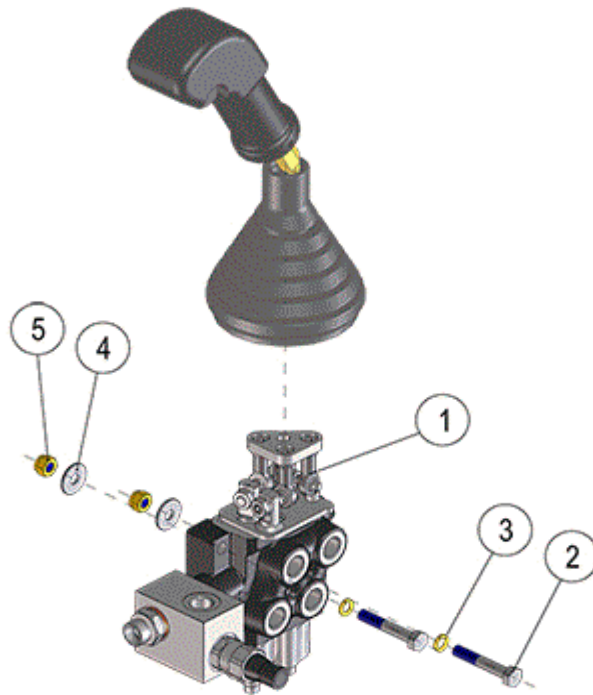


FIGURE	REFERENCE	DENOMINATION	AMOUNT
001	64.10112.01	CONTROL VALVE 2E	1
001	64.10112.01	CONTROL VALVE 2E	1
001	64.10112.01	CONTROL VALVE 2E	1
002	604.08050.86	SCREW DIN931	2
002	604.08050.86	SCREW DIN931	2
002	604.08050.86	SCREW DIN931	2
003	104.08000.00	WASHER DIN7980 D8	2
003	104.08000.00	WASHER DIN7980 D8	2
003	104.08000.00	WASHER DIN7980 D8	2
004	112.08000.66	WASHER DIN9021 D8	2
004	112.08000.66	WASHER DIN9021 D8	2
004	112.08000.66	WASHER DIN9021 D8	2
005	711.08000.66	NUT DIN982 M8	2
005	711.08000.66	NUT DIN982 M8	2
005	711.08000.66	NUT DIN982 M8	2

10. HYDRAULIC INSTALLATION

HYDRAULIC TANK

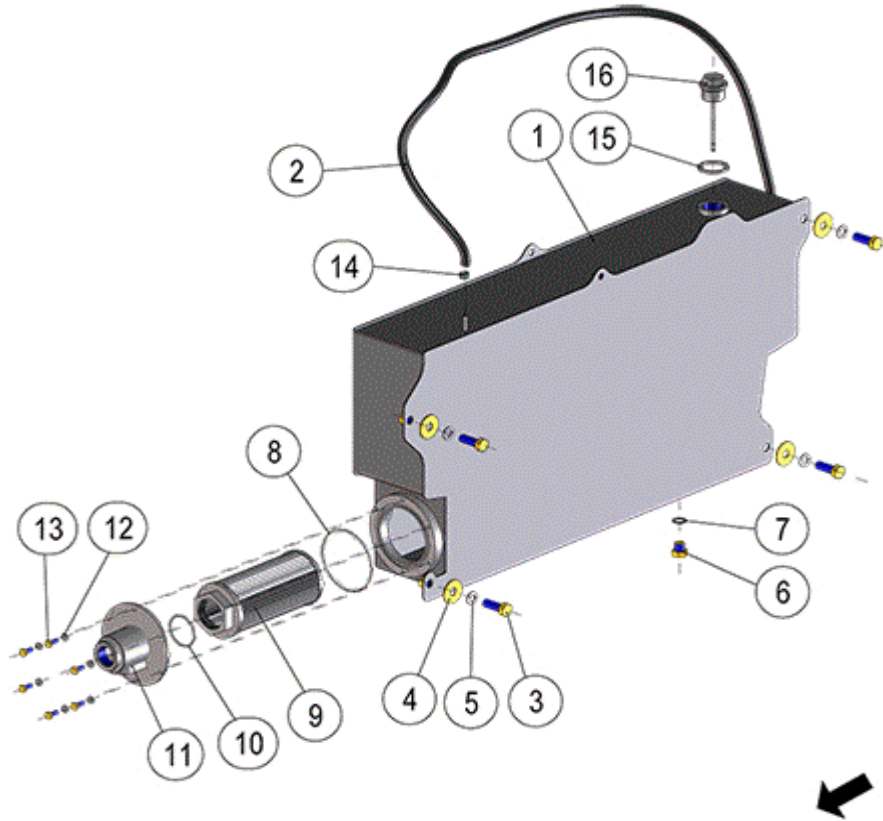


FIGURE	REFERENCE	DENOMINATION	AMOUNT
001	65.10510.00	OIL TANK	1
001	65.10510.00	OIL TANK	1
001	65.10510.00	OIL TANK	1
002	469.03012.00	HOSE L/P MAT.	1
002	469.03012.00	HOSE L/P MAT.	1
002	469.03012.00	HOSE L/P MAT.	1
003	604.12035.86	SCREW DIN931 M12x35	4
003	604.12035.86	SCREW DIN931 M12x35	4
003	604.12035.86	SCREW DIN931 M12x35	4
004	112.12000.66	WASHER DIN9021 D 12X36	4
004	112.12000.66	WASHER DIN9021 D 12X36	4
004	112.12000.66	WASHER DIN9021 D 12X36	4
005	105.12000.66	WASHER DIN7980 D12	4
005	105.12000.66	WASHER DIN7980 D12	4
005	105.12000.66	WASHER DIN7980 D12	4
006	00.02803.00	SCREW DIN910*	1
006	00.02803.00	SCREW DIN910*	1
006	00.02803.00	SCREW DIN910*	1

10. HYDRAULIC INSTALLATION

HYDRAULIC TANK

FIGURE	REFERENCE	DENOMINATION	AMOUNT
007	107.14000.10	WASHER AL 14x20x1.5	1
007	107.14000.10	WASHER AL 14x20x1.5	1
007	107.14000.10	WASHER AL 14x20x1.5	1
008	201.95003.50	O-RING DIN3770	1
008	201.95003.50	O-RING DIN3770	1
008	201.95003.50	O-RING DIN3770	1
009	58.01810.00	HIDRAULIC CATRIDGE INTANK	1
009	58.01810.00	HIDRAULIC CATRIDGE INTANK	1
009	58.01810.00	HIDRAULIC CATRIDGE INTANK	1
010	201.46003.50	O-RING DIN3770 46x52x3	1
010	201.46003.50	O-RING DIN3770 46x52x3	1
010	201.46003.50	O-RING DIN3770 46x52x3	1
011	43.70406.01	AD. FILTER SUPPORT	1
011	43.70406.01	AD. FILTER SUPPORT	1
011	43.70406.01	AD. FILTER SUPPORT	1
012	104.06000.00	WASHER DIN7980 D6	6
012	104.06000.00	WASHER DIN7980 D6	6
012	104.06000.00	WASHER DIN7980 D6	6
013	603.06015.86	SCREW DIN933 M6x15	6
013	603.06015.86	SCREW DIN933 M6x15	6
013	603.06015.86	SCREW DIN933 M6x15	6
014	948.01208.00	FLANGE	1
014	948.01208.00	FLANGE	1
014	948.01208.00	FLANGE	1
015	43.13444.00	GASKET MET. BUNA	1
015	43.13444.00	GASKET MET. BUNA	1
015	43.13444.00	GASKET MET. BUNA	1
016	46.10052.00	DIPSTICK 1 D5x85	1
016	46.10052.00	DIPSTICK 1 D5x85	1
016	46.10052.00	DIPSTICK 1 D5x85	1

10. HYDRAULIC INSTALLATION OIL TANK

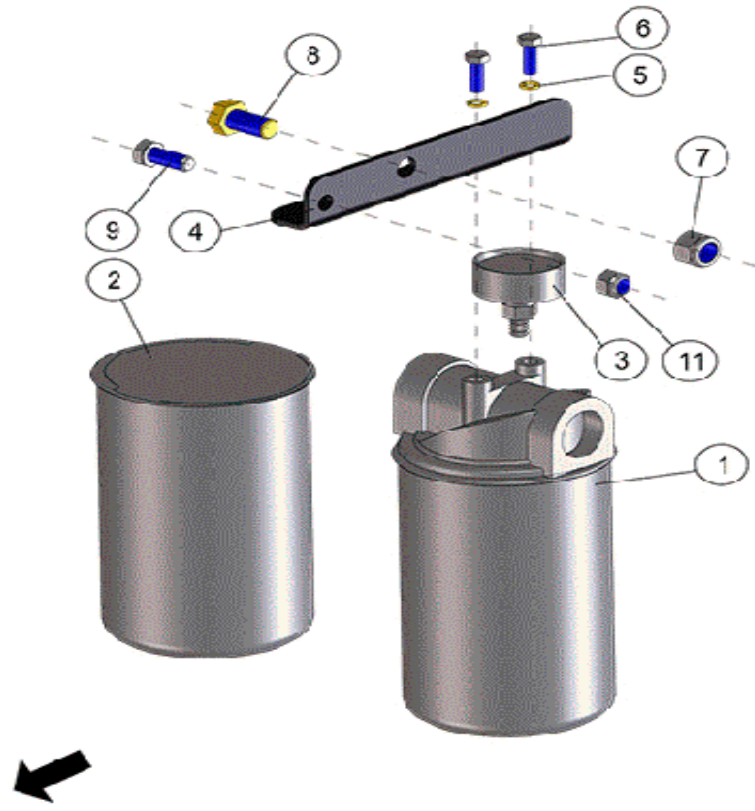


FIGURE	REFERENCE	DENOMINATION	AMOUNT
001	60.20101.00	COMPLETE OIL FILTER	1
001	60.20101.00	COMPLETE OIL FILTER	1
001	60.20101.00	COMPLETE OIL FILTER	1
002	60.20100.00	FILTER ELEMENT	1
002	60.20100.00	FILTER ELEMENT	1
002	60.20100.00	FILTER ELEMENT	1
003	60.20102.00	INDICATOR	1
003	60.20102.00	INDICATOR	1
003	60.20102.00	INDICATOR	1
004	10.02144.00	ELBOW C90M/H NIPPLE	1
004	10.02144.00	ELBOW C90M/H NIPPLE	1
004	10.02144.00	ELBOW C90M/H NIPPLE	1
004	67.10701.00	OIL FILTER FIXATION SUPPORT	1
004	67.10701.00	OIL FILTER FIXATION SUPPORT	1
004	67.10701.00	OIL FILTER FIXATION SUPPORT	1
005	104.08000.66	CIR-CLIP EXT. DIN 7980	2
005	104.08000.66	CIR-CLIP EXT. DIN 7980	2
005	104.08000.66	CIR-CLIP EXT. DIN 7980	2

10. HYDRAULIC INSTALLATION

OIL TANK

FIGURE	REFERENCE	DENOMINATION	AMOUNT
006	603.08025.86	SCREW DIN933 M8x25	2
006	603.08025.86	SCREW DIN933 M8x25	2
006	603.08025.86	SCREW DIN933 M8x25	2
007	711.16000.66	NUT DIN982 M16 8.8 K	1
007	711.16000.66	NUT DIN982 M16 8.8 K	1
007	711.16000.66	NUT DIN982 M16 8.8 K	1
008	603.16030.86	BOLT DIN933 M16x30	1
008	603.16030.86	BOLT DIN933 M16x30	1
008	603.16030.86	BOLT DIN933 M16x30	1
009	603.12030.86	SCREW DIN933 M12x30	1
009	603.12030.86	SCREW DIN933 M12x30	1
009	603.12030.86	SCREW DIN933 M12x30	1
011	711.12000.66	NUT DIN982 M12	1
011	711.12000.66	NUT DIN982 M12	1
011	711.12000.66	NUT DIN982 M12	1

10. HYDRAULIC INSTALLATION WORKING

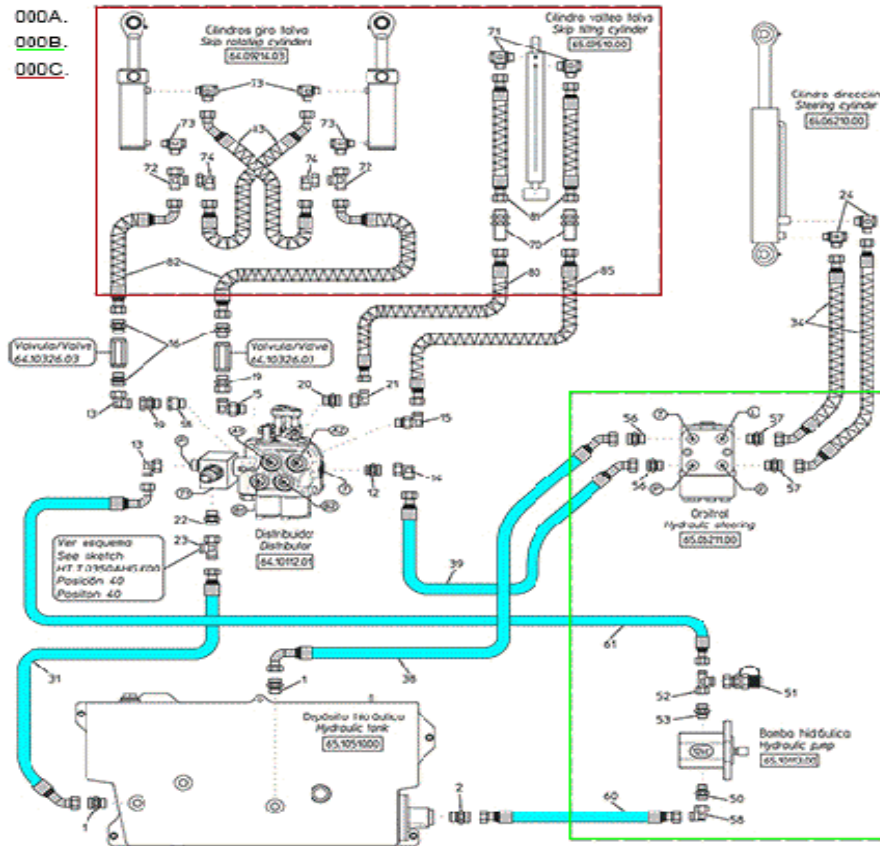


FIGURE	REFERENCE	DENOMINATION	AMOUNT
000A	67.10600.00	TRANSMISSION HYDRAULIC KIT	1
000B	67.10700.00	ENGINE HYDRAULIC KIT	1
000C	67.10800.00	ROTATORY KIT	1
001	48.10433.00	FITTING	3
001	48.10433.00	FITTING	3
001	48.10433.00	FITTING	3
002	64.10336.00	FITTING	1
002	64.10336.00	FITTING	1
002	64.10336.00	FITTING	1
012	46.58083.00	GASKET MET. BUNA	1
012	46.58083.00	GASKET MET. BUNA	1
012	46.58083.00	GASKET MET. BUNA	1
013	48.10451.00	RACOR C90M/TL M18X1,5	2
013	48.10451.00	RACOR C90M/TL M18X1,5	2
013	48.10451.00	RACOR C90M/TL M18X1,5	2
014	48.10223.00	FITTING	1
014	48.10223.00	FITTING	1
014	48.10223.00	FITTING	1

10. HYDRAULIC INSTALLATION WORKING

FIGURE	REFERENCE	DENOMINATION	AMOUNT
015	48.10442.00	"RACOR C90MO/M 3/8""BSP / M18X1"	2
015	48.10442.00	"RACOR C90MO/M 3/8""BSP / M18X1"	2
015	48.10442.00	"RACOR C90MO/M 3/8""BSP / M18X1"	2
016	48.10836.00	RACOR M/M MB 3/8 BSP - MM M18L	3
016	48.10836.00	RACOR M/M MB 3/8 BSP - MM M18L	3
016	48.10836.00	RACOR M/M MB 3/8 BSP - MM M18L	3
018	10.01353.00	NIPPLE M/H	1
018	10.01353.00	NIPPLE M/H	1
018	10.01353.00	NIPPLE M/H	1
019	70.10237.00	FITTING M/TL 3/8GAS - M18x1,5	2
019	70.10237.00	FITTING M/TL 3/8GAS - M18x1,5	2
019	70.10237.00	FITTING M/TL 3/8GAS - M18x1,5	2
020	46.10849.00	FITTING	1
020	46.10849.00	FITTING	1
020	46.10849.00	FITTING	1
021	46.10410.00	FITTING	1
021	46.10410.00	FITTING	1
021	46.10410.00	FITTING	1
022	70.10253.00	FITTING	1
022	70.10253.00	FITTING	1
022	70.10253.00	FITTING	1
023	46.10911.00	FITTING	1
023	46.10911.00	FITTING	1
023	46.10911.00	FITTING	1
024	48.10934.00	FITTING	2
024	48.10934.00	FITTING	2
024	48.10934.00	FITTING	2
031	67.10803.00		1
031	67.10803.00		1
031	67.10803.00		1
034	65.10807.01	HYDRAULIC HOSE R2T3/8 1450 TL-C45M18	2
034	65.10807.01	HYDRAULIC HOSE R2T3/8 1450 TL-C45M18	2
034	65.10807.01	HYDRAULIC HOSE R2T3/8 1450 TL-C45M18	2
038	67.10805.00		1
038	67.10805.00		1
038	67.10805.00		1

10. HYDRAULIC INSTALLATION WORKING

FIGURE	REFERENCE	DENOMINATION	AMOUNT
039	67.10804.00		1
039	67.10804.00		1
039	67.10804.00		1
050	48.10437.00	FITTING	1
050	48.10437.00	FITTING	1
050	48.10437.00	FITTING	1
051	70.10226.00	FITTING M/TL M16x2- M18x1,5	1
051	70.10226.00	FITTING M/TL M16x2- M18x1,5	1
051	70.10226.00	FITTING M/TL M16x2- M18x1,5	1
052	20.10297.00	THREE-WAY UNION M/M/TL	1
052	20.10297.00	THREE-WAY UNION M/M/TL	1
052	20.10297.00	THREE-WAY UNION M/M/TL	1
053	48.10836.00	RACOR M/M MB 3/8 BSP - MM M18L	1
053	48.10836.00	RACOR M/M MB 3/8 BSP - MM M18L	1
053	48.10836.00	RACOR M/M MB 3/8 BSP - MM M18L	1
056	48.10433.00	FITTING	2
056	48.10433.00	FITTING	2
056	48.10433.00	FITTING	2
057	70.10229.00	FITTING	2
057	70.10229.00	FITTING	2
057	70.10229.00	FITTING	2
058	46.58004.00	FITTING	1
058	46.58004.00	FITTING	1
058	46.58004.00	FITTING	1
060	67.10825.00		1
060	67.10825.00		1
060	67.10825.00		1
061	67.10826.00		1
061	67.10826.00		1
061	67.10826.00		1
070	48.10109.00	FITTING	2
070	48.10109.00	FITTING	2
070	48.10109.00	FITTING	2
071	48.10934.00	FITTING	2
071	48.10934.00	FITTING	2
071	48.10934.00	FITTING	2

10. HYDRAULIC INSTALLATION WORKING

FIGURE	REFERENCE	DENOMINATION	AMOUNT
072	46.10401.00	FITTING	2
072	46.10401.00	FITTING	2
072	46.10401.00	FITTING	2
073	48.10764.00	FITTING	4
073	48.10764.00	FITTING	4
073	48.10764.00	FITTING	4
074	46.10410.00	FITTING	2
074	46.10410.00	FITTING	2
074	46.10410.00	FITTING	2
080	67.10808.00		1
080	67.10808.00		1
080	67.10808.00		1
081	65.10809.00	HYDRAULIC HOSE R1T5/16 600 TLM16-TLM18	2
081	65.10809.00	HYDRAULIC HOSE R1T5/16 600 TLM16-TLM18	2
081	65.10809.00	HYDRAULIC HOSE R1T5/16 600 TLM16-TLM18	2
082	67.10810.00		2
082	67.10810.00		2
082	67.10810.00		2
083	64.10323.02	HYDRAULIC HOSE R1T1/4 M16C45-M16TL 560	2
083	64.10323.02	HYDRAULIC HOSE R1T1/4 M16C45-M16TL 560	2
083	64.10323.02	HYDRAULIC HOSE R1T1/4 M16C45-M16TL 560	2
085	67.10811.00		1
085	67.10811.00		1
085	67.10811.00		1

10. HYDRAULIC INSTALLATION TRANSMISSION

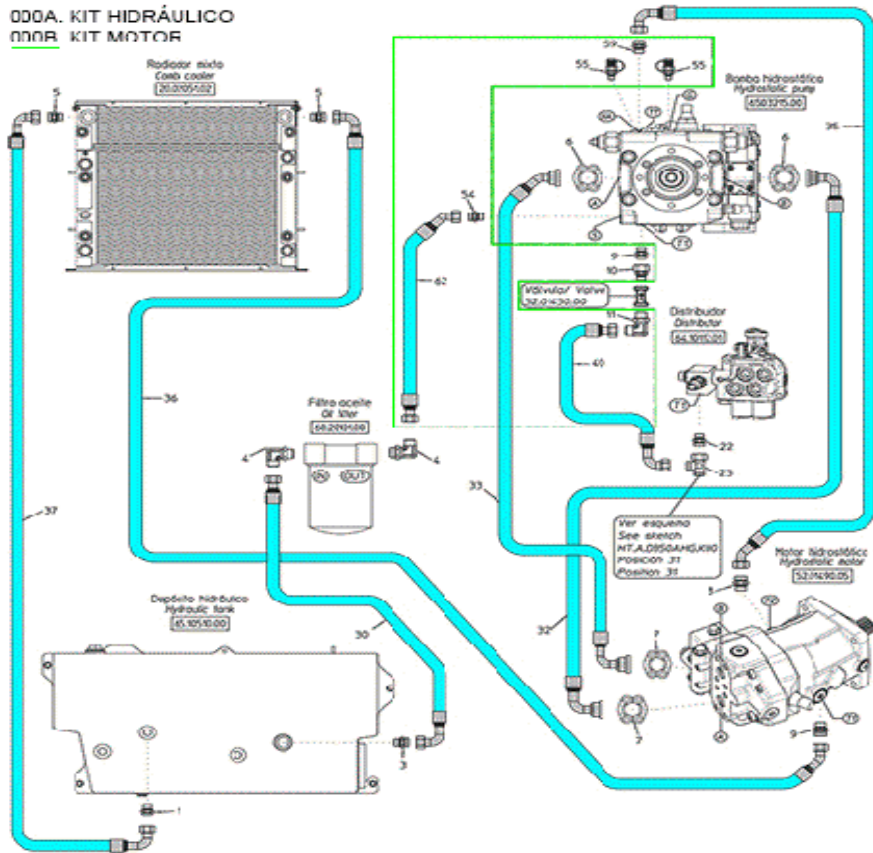


FIGURE	REFERENCE	DENOMINATION	AMOUNT
000A	67.10600.00	TRANSMISSION HYDRAULIC KIT	1
000B	67.10700.00	ENGINE HYDRAULIC KIT	1
001	48.10433.00	FITTING	3
001	48.10433.00	FITTING	3
001	48.10433.00	FITTING	3
003	12.10301.00	FITTING	1
003	12.10301.00	FITTING	1
003	12.10301.00	FITTING	1
004	67.10802.00		2
004	67.10802.00		2
004	67.10802.00		2
005	70.10207.00	FITTING	2
005	70.10207.00	FITTING	2
005	70.10207.00	FITTING	2
006	52.01494.00	CLAMP 6000 PSI 3/4'	2
006	52.01494.00	CLAMP 6000 PSI 3/4'	2
006	52.01494.00	CLAMP 6000 PSI 3/4'	2
007	46.10845.00	CLAMP SAE6000 1	2

10. HYDRAULIC INSTALLATION TRANSMISSION

FIGURE	REFERENCE	DENOMINATION	AMOUNT
007	46.10845.00	CLAMP SAE6000 1	2
007	46.10845.00	CLAMP SAE6000 1	2
008	32.10804.00	"RACOR MB/M "	1
008	32.10804.00	"RACOR MB/M "	1
008	32.10804.00	"RACOR MB/M "	1
009	70.10210.00	FITTING M/M M26xM22	1
009	70.10210.00	FITTING M/M M26xM22	1
009	70.10210.00	FITTING M/M M26xM22	1
010	48.10234.00	"RACOR M/TL MF1/2""BSP / M26X1,5"	1
010	48.10234.00	"RACOR M/TL MF1/2""BSP / M26X1,5"	1
010	48.10234.00	"RACOR M/TL MF1/2""BSP / M26X1,5"	1
011	20.10268.00	FITTING	1
011	20.10268.00	FITTING	1
011	20.10268.00	FITTING	1
022	70.10253.00	FITTING	1
022	70.10253.00	FITTING	1
022	70.10253.00	FITTING	1
023	46.10911.00	FITTING	1
023	46.10911.00	FITTING	1
023	46.10911.00	FITTING	1
030	67.10820.00		1
030	67.10820.00		1
030	67.10820.00		1
032	67.10815.00		1
032	67.10815.00		1
032	67.10815.00		1
033	67.10816.00		1
033	67.10816.00		1
033	67.10816.00		1
035	67.10819.00		1
035	67.10819.00		1
035	67.10819.00		1
036	67.10818.00		1
036	67.10818.00		1
036	67.10818.00		1
037	67.10817.00		1

10. HYDRAULIC INSTALLATION TRANSMISSION

FIGURE	REFERENCE	DENOMINATION	AMOUNT
037	67.10817.00		1
037	67.10817.00		1
040	67.10806.00		1
040	67.10806.00		1
040	67.10806.00		1
054	46.10835.00	FITTING	1
054	46.10835.00	FITTING	1
054	46.10835.00	FITTING	1
055	70.10218.00	FITTING M/M M16x2-M12x1.5	2
055	70.10218.00	FITTING M/M M16x2-M12x1.5	2
055	70.10218.00	FITTING M/M M16x2-M12x1.5	2
062	67.10812.00		1
062	67.10812.00		1
062	67.10812.00		1

11. ELECTRIC INSTALLATION

ROTATING BEACON

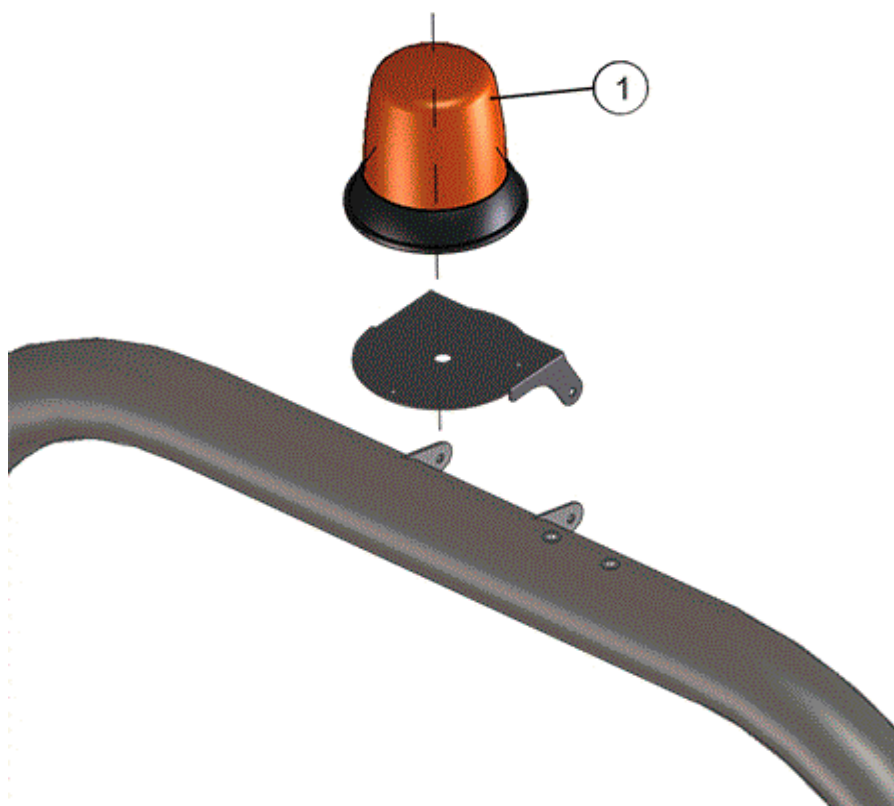


FIGURE	REFERENCE	DENOMINATION	AMOUNT
001	01.00921.02	ROTATING LIGHT BRITAX	1
001	01.00921.02	ROTATING LIGHT BRITAX	1
001	01.00921.02	ROTATING LIGHT BRITAX	1

11. ELECTRIC INSTALLATION BUZZERS

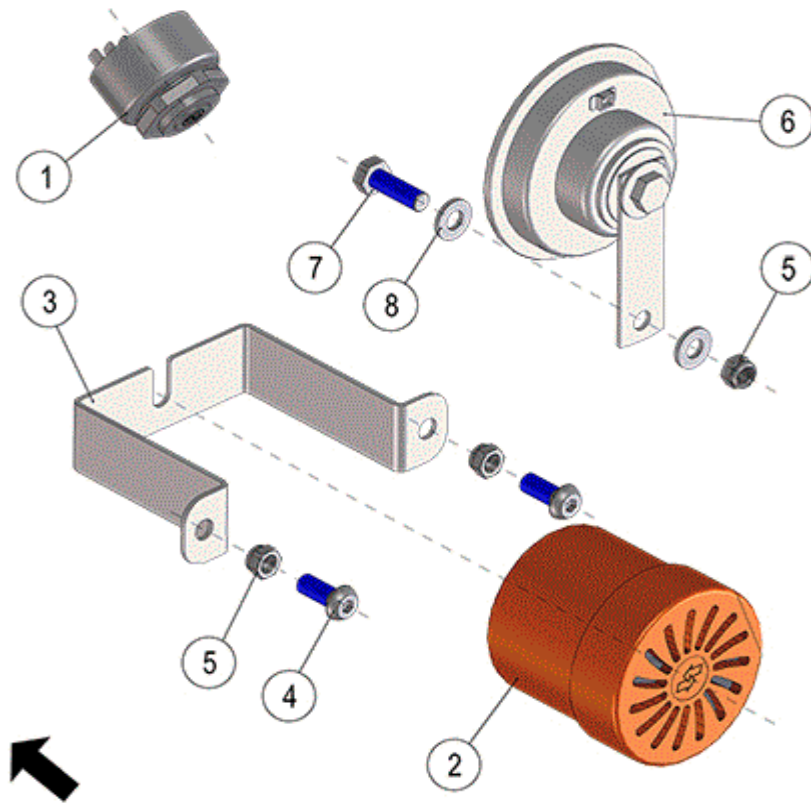


FIGURE	REFERENCE	DENOMINATION	AMOUNT
001	12.11033.01	CONTACT ACOUSTIC SIGNAL	1
001	12.11033.01	CONTACT ACOUSTIC SIGNAL	1
001	12.11033.01	CONTACT ACOUSTIC SIGNAL	1
002	02.14110.03	HORN	1
002	02.14110.03	HORN	1
002	02.14110.03	HORN	1
003	67.11704.00		1
003	67.11704.00		1
003	67.11704.00		1
004	630.08020.96	SCREW ISO7380	2
004	630.08020.96	SCREW ISO7380	2
004	630.08020.96	SCREW ISO7380	2
005	711.08000.66	NUT DIN982 M8	3
005	711.08000.66	NUT DIN982 M8	3
005	711.08000.66	NUT DIN982 M8	3
006	70.11309.00	HORN	1
006	70.11309.00	HORN	1
006	70.11309.00	HORN	1

11. ELECTRIC INSTALLATION

BUZZERS

FIGURE	REFERENCE	DENOMINATION	AMOUNT
007	603.08025.86	SCREW DIN933 M8x25	1
007	603.08025.86	SCREW DIN933 M8x25	1
007	603.08025.86	SCREW DIN933 M8x25	1
008	101.08000.66	WASHER DIN125 D8	2
008	101.08000.66	WASHER DIN125 D8	2
008	101.08000.66	WASHER DIN125 D8	2

11. ELECTRIC INSTALLATION DASHBOARD

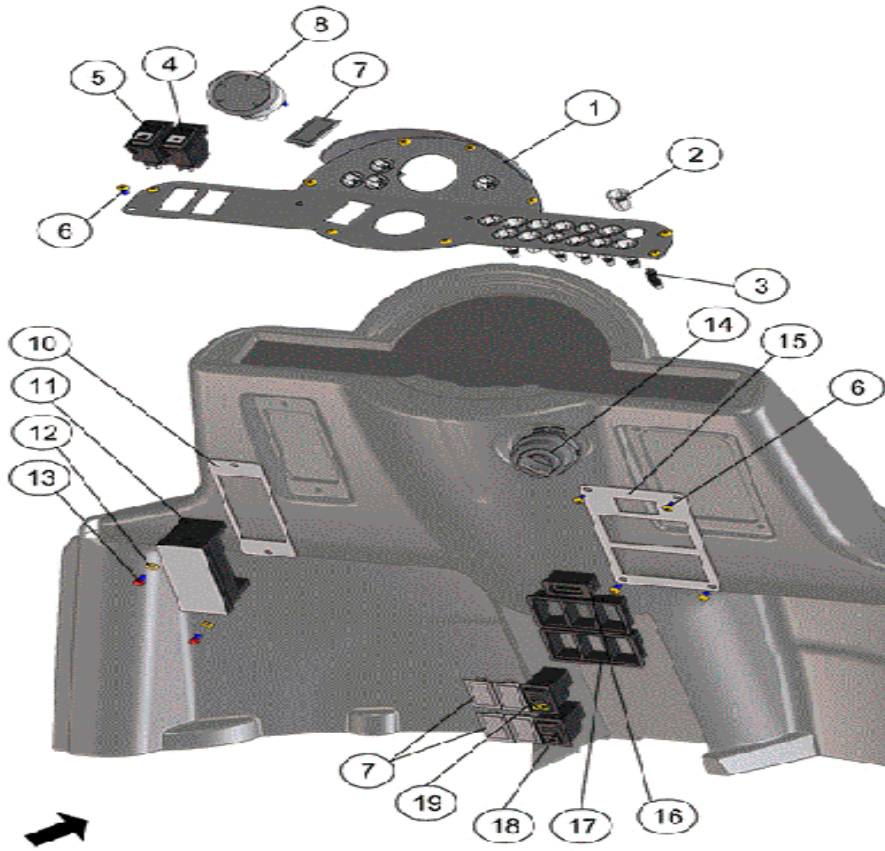


FIGURE	REFERENCE	DENOMINATION	AMOUNT
001	67.11101.00	DASH PANEL	1
001	67.11101.00	DASH PANEL	1
001	67.11101.00	DASH PANEL	1
002	67.11101.00	DASH PANEL	17
002	67.11101.00	DASH PANEL	17
002	67.11101.00	DASH PANEL	17
003	35.11129.00	WARNING LIGHT	17
003	35.11129.00	WARNING LIGHT	17
003	35.11129.00	WARNING LIGHT	17
004	64.11083.00	DPF REGENERATION INHIBIT SWITCH	1
004	64.11083.00	DPF REGENERATION INHIBIT SWITCH	1
004	64.11083.00	DPF REGENERATION INHIBIT SWITCH	1
005	64.11085.01	REGENERATION SWITCH OFF	1
005	64.11085.01	REGENERATION SWITCH OFF	1
005	64.11085.01	REGENERATION SWITCH OFF	1
006	630.05010.96	SCREW ISO7380	14
006	630.05010.96	SCREW ISO7380	14
006	630.05010.96	SCREW ISO7380	14

11. ELECTRIC INSTALLATION DASHBOARD

FIGURE	REFERENCE	DENOMINATION	AMOUNT
007	12.11024.00	SWITCH CAP	5
007	12.11024.00	SWITCH CAP	5
007	12.11024.00	SWITCH CAP	5
008	64.11056.00	INDICATOR DPF KUBOTA	1
008	64.11056.00	INDICATOR DPF KUBOTA	1
008	64.11056.00	INDICATOR DPF KUBOTA	1
009	12.11033.01	CONTACT ACOUSTIC SIGNAL	1
009	12.11033.01	CONTACT ACOUSTIC SIGNAL	1
009	12.11033.01	CONTACT ACOUSTIC SIGNAL	1
010	63.11016.00	SUPPORT	1
010	63.11016.00	SUPPORT	1
010	63.11016.00	SUPPORT	1
011	64.11091.00	FUS 14 BOX	1
011	64.11091.00	FUS 14 BOX	1
011	64.11091.00	FUS 14 BOX	1
012	101.05000.66	WASHER DIN125 D5	2
012	101.05000.66	WASHER DIN125 D5	2
012	101.05000.66	WASHER DIN125 D5	2
013	603.05010.86	SCREW DIN933 M5x10	2
013	603.05010.86	SCREW DIN933 M5x10	2
013	603.05010.86	SCREW DIN933 M5x10	2
014	32.08172.00	MAIN SWITCH WITH KEY ASSEMBLY	1
014	32.08172.00	MAIN SWITCH WITH KEY ASSEMBLY	1
014	32.08172.00	MAIN SWITCH WITH KEY ASSEMBLY	1
015	63.11015.00	SUPPORT	1
015	63.11015.00	SUPPORT	1
015	63.11015.00	SUPPORT	1
016	35.11185.00	HOURS COUNTER	1
016	35.11185.00	HOURS COUNTER	1
016	35.11185.00	HOURS COUNTER	1
017	12.11030.00	SOP. FIJACION INTERRUPTOR	2
017	12.11030.00	SOP. FIJACION INTERRUPTOR	2
017	12.11030.00	SOP. FIJACION INTERRUPTOR	2
018	12.11051.00	HORN SWITCH	1
018	12.11051.00	HORN SWITCH	1
018	12.11051.00	HORN SWITCH	1

11. ELECTRIC INSTALLATION DASHBOARD

FIGURE	REFERENCE	DENOMINATION	AMOUNT
019	12.11052.00	ROTARY LIGHT SWITCH	1
019	12.11052.00	ROTARY LIGHT SWITCH	1
019	12.11052.00	ROTARY LIGHT SWITCH	1

11. ELECTRIC INSTALLATION

ELECTRICAL CONTROL SYSTEMS

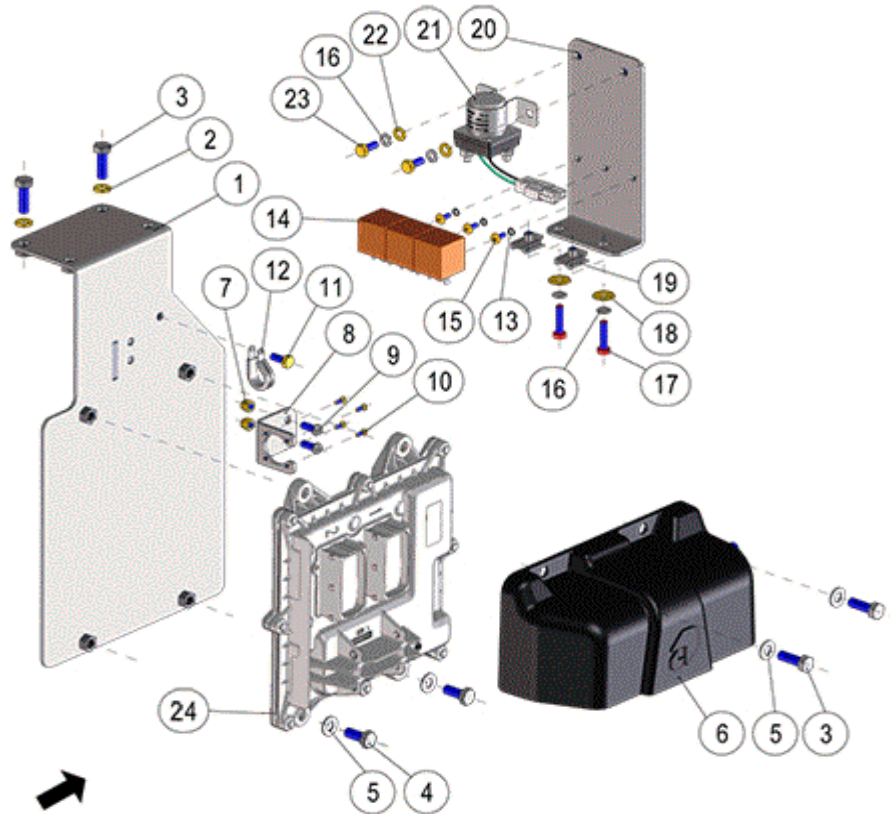


FIGURE	REFERENCE	DENOMINATION	AMOUNT
001	67.11702.00		1
001	67.11702.00		1
001	67.11702.00		1
002	105.08000.66	CIR-CLIP EXT. DIN7980 D8	2
002	105.08000.66	CIR-CLIP EXT. DIN7980 D8	2
002	105.08000.66	CIR-CLIP EXT. DIN7980 D8	2
003	603.08025.86	SCREW DIN933 M8x25	4
003	603.08025.86	SCREW DIN933 M8x25	4
003	603.08025.86	SCREW DIN933 M8x25	4
004	603.08020.86	SCREW DIN933 M8x20	2
004	603.08020.86	SCREW DIN933 M8x20	2
004	603.08020.86	SCREW DIN933 M8x20	2
005	101.08000.66	WASHER DIN125 D8	4
005	101.08000.66	WASHER DIN125 D8	4
005	101.08000.66	WASHER DIN125 D8	4
006	24.11203.00	COVER	1
006	24.11203.00	COVER	1
006	24.11203.00	COVER	1

11. ELECTRIC INSTALLATION

ELECTRICAL CONTROL SYSTEMS

FIGURE	REFERENCE	DENOMINATION	AMOUNT
007	711.06000.66	NUT DIN982 M6	2
007	711.06000.66	NUT DIN982 M6	2
007	711.06000.66	NUT DIN982 M6	2
008	67.11706.00		1
008	67.11706.00		1
008	67.11706.00		1
009	630.06015.96	SCREW ISO7380 M6x15	2
009	630.06015.96	SCREW ISO7380 M6x15	2
009	630.06015.96	SCREW ISO7380 M6x15	2
010	615.03008.66	SCREW	4
010	615.03008.66	SCREW	4
010	615.03008.66	SCREW	4
011	603.06015.87	SCREW DIN933 M6x15	1
011	603.06015.87	SCREW DIN933 M6x15	1
011	603.06015.87	SCREW DIN933 M6x15	1
012	830.01406.00	CLAMP LOOP	1
012	830.01406.00	CLAMP LOOP	1
012	830.01406.00	CLAMP LOOP	1
013	101.04000.66	WASHER DIN125 D4	3
013	101.04000.66	WASHER DIN125 D4	3
013	101.04000.66	WASHER DIN125 D4	3
014	43.01530.02	RELAY 40 AMP. 5 CONTAC. 6.3MM	3
014	43.01530.02	RELAY 40 AMP. 5 CONTAC. 6.3MM	3
014	43.01530.02	RELAY 40 AMP. 5 CONTAC. 6.3MM	3
015	628.04010.66		3
015	628.04010.66		3
015	628.04010.66		3
016	104.06000.00	WASHER DIN7980 D6	4
016	104.06000.00	WASHER DIN7980 D6	4
016	104.06000.00	WASHER DIN7980 D6	4
017	603.06025.86	SCREW DIN933 M6x25	2
017	603.06025.86	SCREW DIN933 M6x25	2
017	603.06025.86	SCREW DIN933 M6x25	2
018	112.06000.66	WASHER DIN9021 D6	2
018	112.06000.66	WASHER DIN9021 D6	2
018	112.06000.66	WASHER DIN9021 D6	2

11. ELECTRIC INSTALLATION

ELECTRICAL CONTROL SYSTEMS

FIGURE	REFERENCE	DENOMINATION	AMOUNT
019	727.06004.86	CAGED NUT M6x4	2
019	727.06004.86	CAGED NUT M6x4	2
019	727.06004.86	CAGED NUT M6x4	2
020	67.11705.00	RELAY FIXATION SUPPORT 170X80X35	1
020	67.11705.00	RELAY FIXATION SUPPORT 170X80X35	1
020	67.11705.00	RELAY FIXATION SUPPORT 170X80X35	1
021	64.11041.00	RELAY 12V 100A	1
021	64.11041.00	RELAY 12V 100A	1
021	64.11041.00	RELAY 12V 100A	1
022	101.06000.66	WASHER DIN125 D6	2
022	101.06000.66	WASHER DIN125 D6	2
022	101.06000.66	WASHER DIN125 D6	2
023	603.06015.86	SCREW DIN933 M6x15	2
023	603.06015.86	SCREW DIN933 M6x15	2
023	603.06015.86	SCREW DIN933 M6x15	2
024	KU1H45760202	ECU	1

11. ELECTRIC INSTALLATION BATTERY

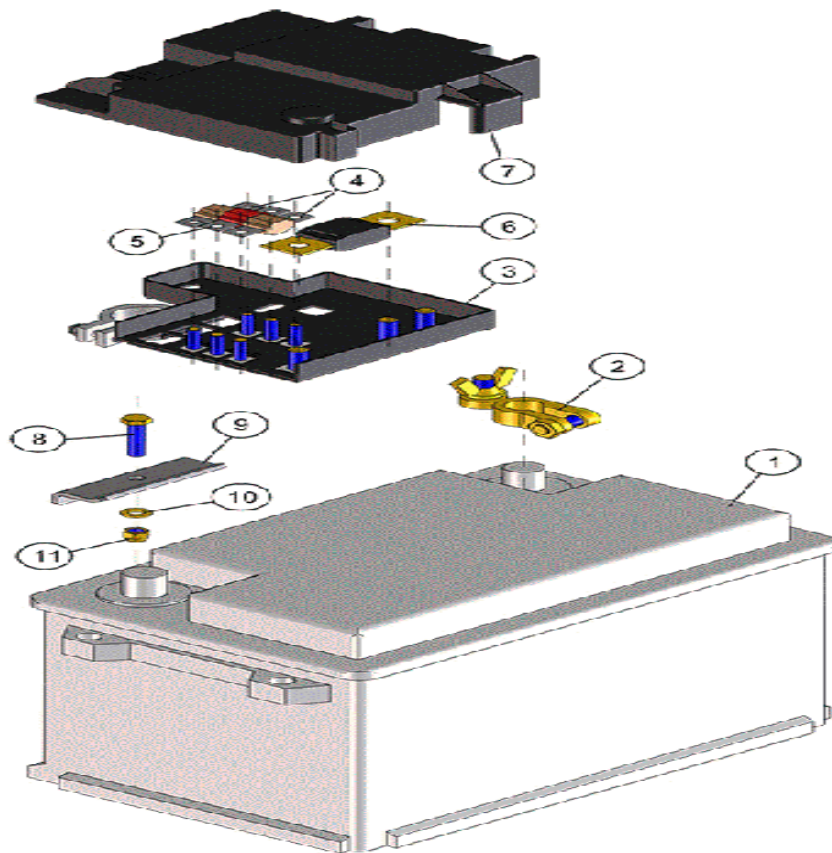


FIGURA	REFERENCIA	DENOMINACIÓN	CANTIDAD
001	15.01411.00	BATTERY 12VX70AH	1
001	15.01411.00	BATTERY 12VX70AH	1
001	15.01411.00	BATTERY 12VX70AH	1
002	20.11007.01	NEGATIVE BATTERY CONNECTOR	1
002	20.11007.01	NEGATIVE BATTERY CONNECTOR	1
002	20.11007.01	NEGATIVE BATTERY CONNECTOR	1
002	20.11007.01	NEGATIVE BATTERY CONNECTOR	1
002	20.11007.01	NEGATIVE BATTERY CONNECTOR	1
002	20.11007.01	NEGATIVE BATTERY CONNECTOR	1
002	20.11007.01	NEGATIVE BATTERY CONNECTOR	1
002	20.11007.01	NEGATIVE BATTERY CONNECTOR	1
002	20.11007.01	NEGATIVE BATTERY CONNECTOR	1
002	20.11007.01	NEGATIVE BATTERY CONNECTOR	1
003	20.11009.00	BATTERY FUSE BOX	1
003	20.11009.00	BATTERY FUSE BOX	1
003	20.11009.00	BATTERY FUSE BOX	1
004	13.11109.00	30A FUSE	2
004	13.11109.00	30A FUSE	2
004	13.11109.00	30A FUSE	2

11. ELECTRIC INSTALLATION

BATTERY

FIGURA	REFERENCIA	DENOMINACIÓN	CANTIDAD
005	20.11011.00	FUSE 50A PROTECTION	1
005	20.11011.00	FUSE 50A PROTECTION	1
005	20.11011.00	FUSE 50A PROTECTION	1
006	20.11010.02	FUSE 300A MAIN PROTECTOR	1
006	20.11010.02	FUSE 300A MAIN PROTECTOR	1
006	20.11010.02	FUSE 300A MAIN PROTECTOR	1
007	20.11014.00	BATTERY FUSEBOX COVER	1
007	20.11014.00	BATTERY FUSEBOX COVER	1
007	20.11014.00	BATTERY FUSEBOX COVER	1
007	20.11014.00	BATTERY FUSEBOX COVER	1
007	20.11014.00	BATTERY FUSEBOX COVER	1
007	20.11014.00	BATTERY FUSEBOX COVER	1
007	20.11014.00	BATTERY FUSEBOX COVER	1
007	20.11014.00	BATTERY FUSEBOX COVER	1
007	20.11014.00	BATTERY FUSEBOX COVER	1
007	20.11014.00	BATTERY FUSEBOX COVER	1
008	603.06030.86	SCREW DIN933 M6x30	1
008	603.06030.86	SCREW DIN933 M6x30	1
008	603.06030.86	SCREW DIN933 M6x30	1
009	20.11101.00	FIXATION SUPPORT 2X10X70	1
009	20.11101.00	FIXATION SUPPORT 2X10X70	1
009	20.11101.00	FIXATION SUPPORT 2X10X70	1
010	101.06000.66	WASHER DIN125 D6	1
010	101.06000.66	WASHER DIN125 D6	1
010	101.06000.66	WASHER DIN125 D6	1
011	711.06000.66	NUT DIN982 M6	1
011	711.06000.66	NUT DIN982 M6	1
011	711.06000.66	NUT DIN982 M6	1

11. ELECTRIC INSTALLATION BATTERY

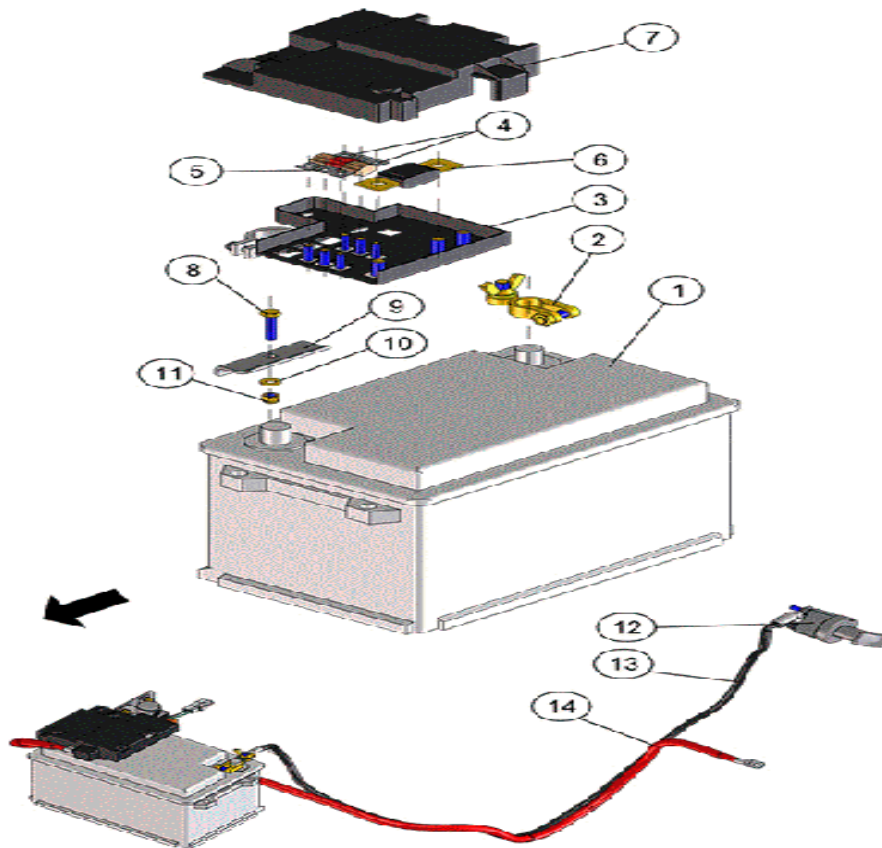


FIGURA	REFERENCIA	DENOMINACIÓN	CANTIDAD
001	15.01411.00	BATTERY 12VX70AH	1
001	15.01411.00	BATTERY 12VX70AH	1
001	15.01411.00	BATTERY 12VX70AH	1
002	20.11007.01	NEGATIVE BATTERY CONNECTOR	1
002	20.11007.01	NEGATIVE BATTERY CONNECTOR	1
002	20.11007.01	NEGATIVE BATTERY CONNECTOR	1
003	20.11009.00	BATTERY FUSE BOX	1
003	20.11009.00	BATTERY FUSE BOX	1
003	20.11009.00	BATTERY FUSE BOX	1
004	13.11109.00	30A FUSE	2
004	13.11109.00	30A FUSE	2
004	13.11109.00	30A FUSE	2
005	20.11011.00	FUSE 50A PROTECTION	1
005	20.11011.00	FUSE 50A PROTECTION	1
005	20.11011.00	FUSE 50A PROTECTION	1
006	20.11010.02	FUSE 300A MAIN PROTECTOR	1
006	20.11010.02	FUSE 300A MAIN PROTECTOR	1
006	20.11010.02	FUSE 300A MAIN PROTECTOR	1

11. ELECTRIC INSTALLATION

BATTERY

FIGURA	REFERENCIA	DENOMINACIÓN	CANTIDAD
007	20.11014.00	BATTERY FUSEBOX COVER	1
007	20.11014.00	BATTERY FUSEBOX COVER	1
007	20.11014.00	BATTERY FUSEBOX COVER	1
008	603.06030.86	SCREW DIN933 M6x30	1
008	603.06030.86	SCREW DIN933 M6x30	1
008	603.06030.86	SCREW DIN933 M6x30	1
009	20.11101.00	FIXATION SUPPORT 2X10X70	1
009	20.11101.00	FIXATION SUPPORT 2X10X70	1
009	20.11101.00	FIXATION SUPPORT 2X10X70	1
010	101.06000.66	WASHER DIN125 D6	1
010	101.06000.66	WASHER DIN125 D6	1
010	101.06000.66	WASHER DIN125 D6	1
011	711.06000.66	NUT DIN982 M6	1
011	711.06000.66	NUT DIN982 M6	1
011	711.06000.66	NUT DIN982 M6	1
012	63.11111.00	NEGATIVE BATTERY DISCONNECTOR	1
012	63.11111.00	NEGATIVE BATTERY DISCONNECTOR	1
012	63.11111.00	NEGATIVE BATTERY DISCONNECTOR	1
013	67.11202.00	ELECTRICAL CABLE 35X1350MM M8M10 N	1
013	67.11202.00	ELECTRICAL CABLE 35X1350MM M8M10 N	1
013	67.11202.00	ELECTRICAL CABLE 35X1350MM M8M10 N	1
014	67.11200.00	ELECTRICAL CABLE 35X1870MM M8M8 90°	1
014	67.11200.00	ELECTRICAL CABLE 35X1870MM M8M8 90°	1
014	67.11200.00	ELECTRICAL CABLE 35X1870MM M8M8 90°	1

11. ELECTRIC INSTALLATION WIRING HARNESS (PART 1)

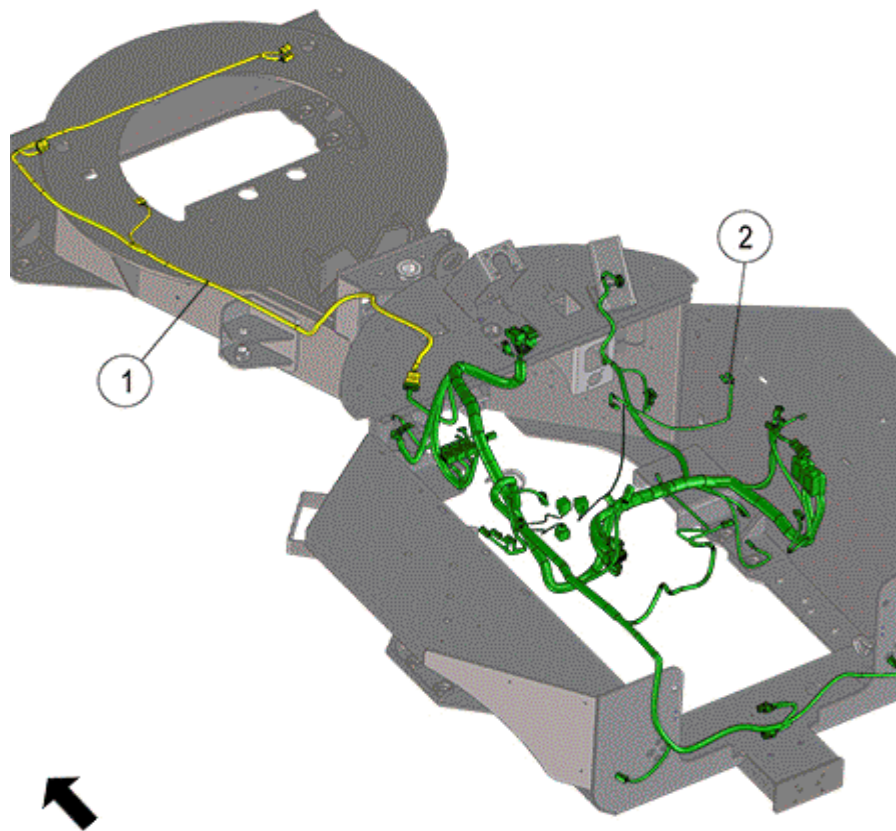


FIGURA	REFERENCIA	DENOMINACIÓN	CANTIDAD
001	67.11002.00	FRONT LENGTH ELEC. INSTAL.	1
001	67.11002.00	FRONT LENGTH ELEC. INSTAL.	1
001	67.11002.00	FRONT LENGTH ELEC. INSTAL.	1
002	67.11001.00	BACK LENGTH ELEC. INSTAL.	1
002	67.11001.00	BACK LENGTH ELEC. INSTAL.	1
002	67.11001.00	BACK LENGTH ELEC. INSTAL.	1

11. ELECTRIC INSTALLATION WIRING HARNESS (PART 2)

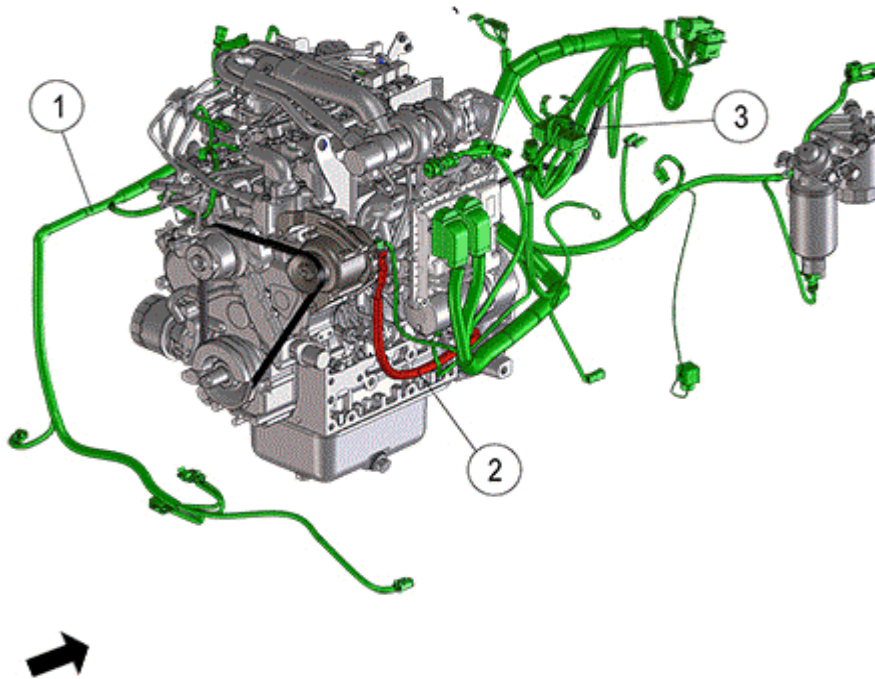


FIGURE	REFERENCE	DENOMINATION	AMOUNT
001	67.11001.00	BACK LENGTH ELEC. INSTAL.	1
001	67.11001.00	BACK LENGTH ELEC. INSTAL.	1
001	67.11001.00	BACK LENGTH ELEC. INSTAL.	1
002	67.11203.00	ELECTRICAL CABLE 35X500MM M8 M6 R	1
002	67.11203.00	ELECTRICAL CABLE 35X500MM M8 M6 R	1
002	67.11203.00	ELECTRICAL CABLE 35X500MM M8 M6 R	1
003	67.11204.00	ELECTRICAL CABLE 35X1000 M10 M8 N	1
003	67.11204.00	ELECTRICAL CABLE 35X1000 M10 M8 N	1
003	67.11204.00	ELECTRICAL CABLE 35X1000 M10 M8 N	1

11. ELECTRIC INSTALLATION WIRING HARNESS (PART 3)

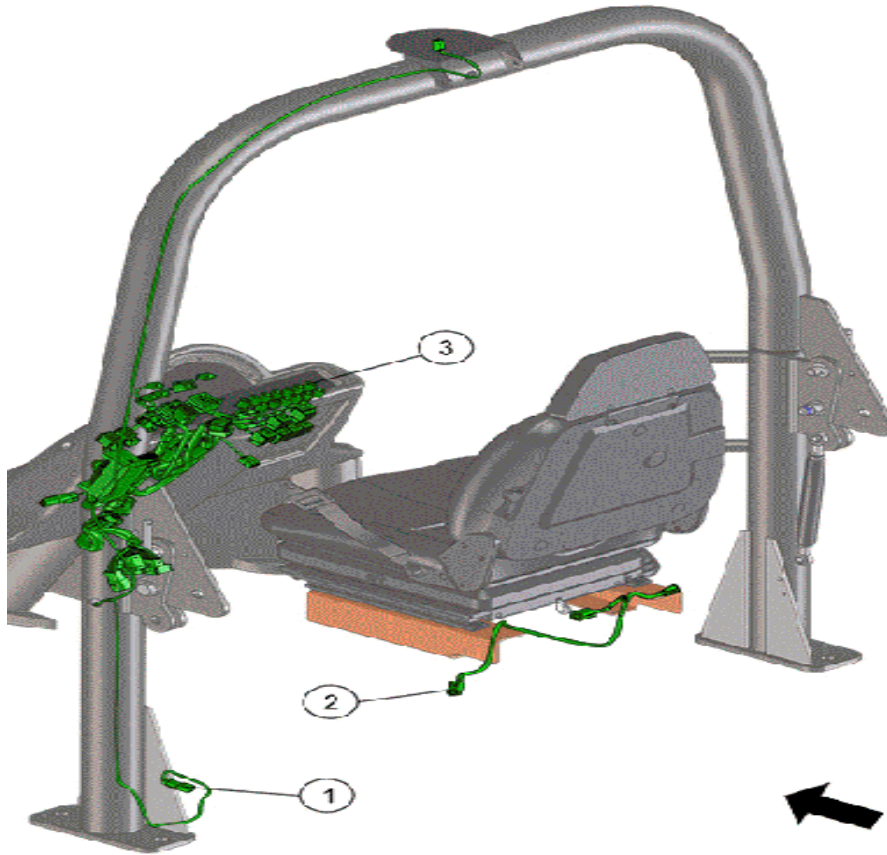


FIGURE	REFERENCE	DENOMINATION	AMOUNT
001	67.11005.00	LENGTH ELEC. INSTAL. 2 WAYS	1
001	67.11005.00	LENGTH ELEC. INSTAL. 2 WAYS	1
001	67.11005.00	LENGTH ELEC. INSTAL. 2 WAYS	1
002	67.11006.00	SEAT LENGTH ELEC. INSTAL.	1
002	67.11006.00	SEAT LENGTH ELEC. INSTAL.	1
002	67.11006.00	SEAT LENGTH ELEC. INSTAL.	1
003	67.11000.01		1
003	67.11000.01		1
003	67.11000.01		1

12. FINISHES STICKERS & PLATES (PART 1)

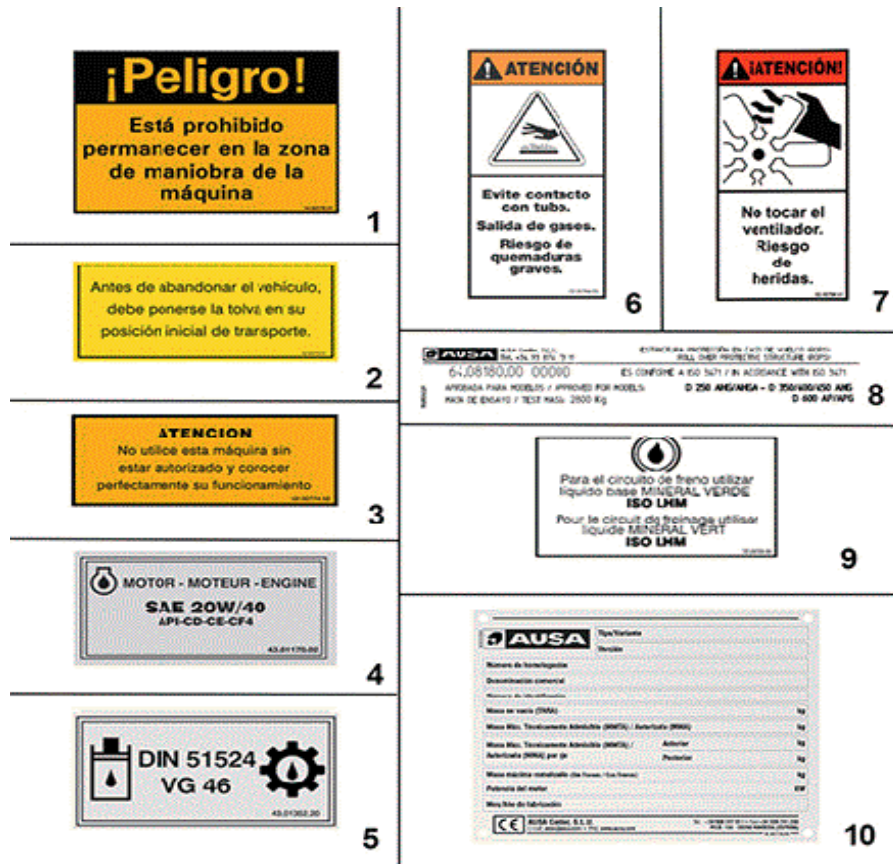


FIGURE	REFERENCE	DENOMINATION	AMOUNT
001	14.00775.01	PLATE AD. INDI	2
001	14.00775.01	PLATE AD. INDI	2
001	14.00775.01	PLATE AD. INDI	2
002	02.00773.01	PLATE AD. INDI	1
002	02.00773.01	PLATE AD. INDI	1
002	02.00773.01	PLATE AD. INDI	1
003	02.00774.00	PLATE AD. INDI	1
003	02.00774.00	PLATE AD. INDI	1
003	02.00774.00	PLATE AD. INDI	1
004	43.01170.02	PLATE AD. INDI	1
004	43.01170.02	PLATE AD. INDI	1
004	43.01170.02	PLATE AD. INDI	1
005	43.01352.20	PLATE AD. INDI	1
005	43.01352.20	PLATE AD. INDI	1
005	43.01352.20	PLATE AD. INDI	1
006	02.00764.00	PLATE AD. INDI	1
006	02.00764.00	PLATE AD. INDI	1
006	02.00764.00	PLATE AD. INDI	1

12. FINISHES

STICKERS & PLATES (PART 1)

FIGURE	REFERENCE	DENOMINATION	AMOUNT
007	02.00766.01	ADH. PLATE IND. 40x80, SPANISH	1
007	02.00766.01	ADH. PLATE IND. 40x80, SPANISH	1
007	02.00766.01	ADH. PLATE IND. 40x80, SPANISH	1
008	39.08242.01	ADHESIVE PLATE	1
008	39.08242.01	ADHESIVE PLATE	1
008	39.08242.01	ADHESIVE PLATE	1
009	55.00780.00	PLATE AD. INDI	1
009	55.00780.00	PLATE AD. INDI	1
009	55.00780.00	PLATE AD. INDI	1
010	01.00779.60	INDI. PLATE 130X100 STANDARD	1
010	01.00779.60	INDI. PLATE 130X100 STANDARD	1
010	01.00779.60	INDI. PLATE 130X100 STANDARD	1

12. FINISHES

STICKERS & PLATES (PART 2)

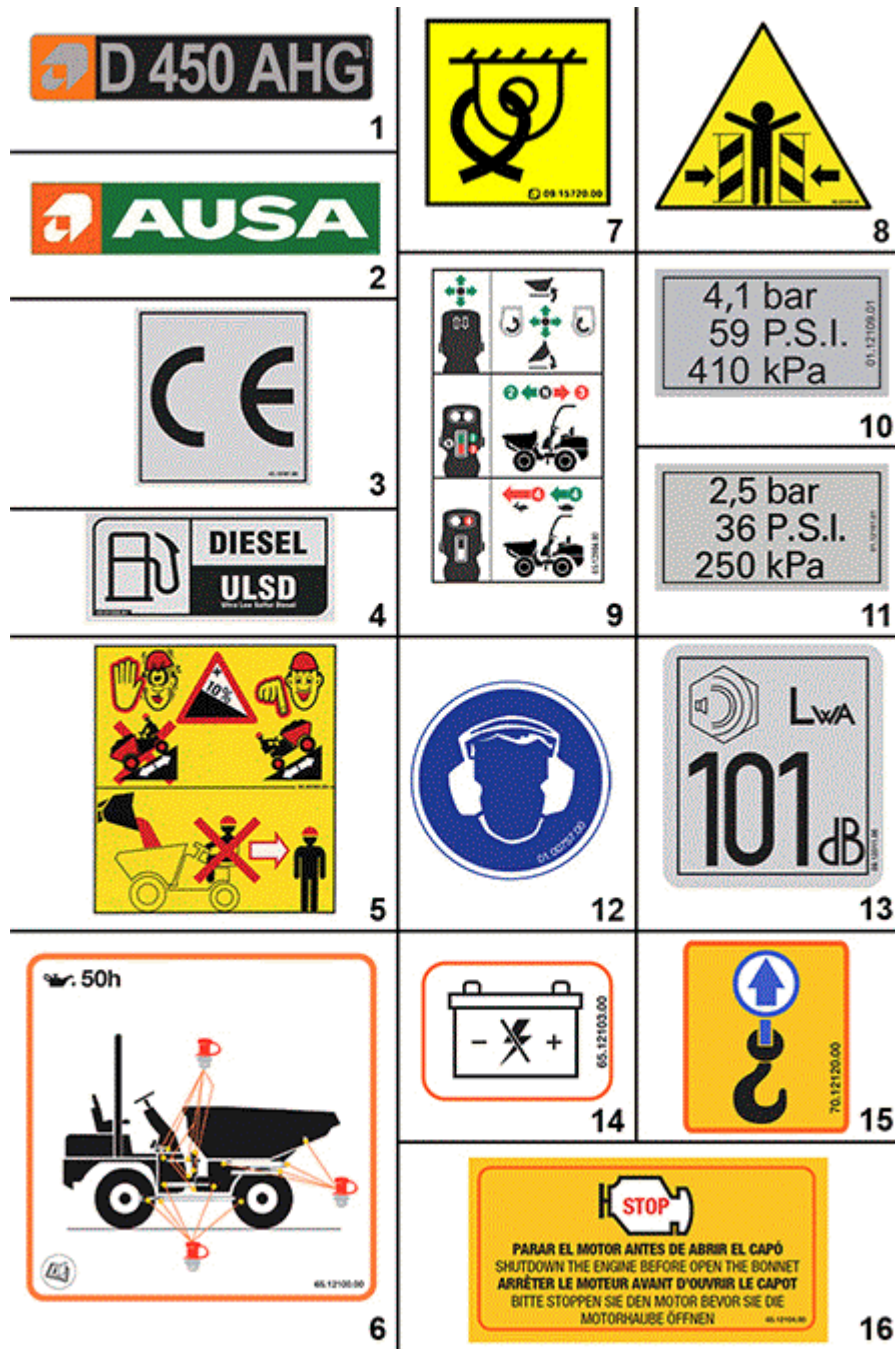


FIGURE	REFERENCE	DENOMINATION	AMOUNT
001	65.12020.00	MODEL STICKER D450AHG	1
002	13.12136.02	ADHESIVE, AUSA 720x147	1
003	45.19101.00	PLATE AD. INDI	1
004	43.01356.01	ADH. PLATE IND. DIESEL ULSD 90	1
005	09.00769.00	PLATE AD. INDI	1
006	65.12100.00	GREASING POINTS STICKER	1
007	09.15720.00	PLATE AD. INDI	1
008	60.22350.00	PLATE AD. INDI	1
009	65.12004.00	ADHESIVE PLATE	1

010	01.12109.01	ADHESIVE PRESSURE 4.1/59/410	1
011	01.12101.01	ADHESIVE PRESSURE 2.5/36/250	1
012	01.00757.00	PLATE AD. INDI	1
013	09.12011.00	ADHESIVE	1
014	65.12103.00	STICKER DISCONNECT	1
015	70.12120.00	STICKER LIFT POINT	1
016	65.12104.00	STICKER ENGINE SHUTDOWN	1

12. FINISHES FINISHED UK



FIGURE	REFERENCE	DENOMINATION	AMOUNT
001	14.00775.03	PLATE AD. INDI	1
001	14.00775.03	PLATE AD. INDI	1
001	14.00775.03	PLATE AD. INDI	1
002	02.00773.03	PLATE AD. INDI. 80x180 ENG	1
002	02.00773.03	PLATE AD. INDI. 80x180 ENG	1
002	02.00773.03	PLATE AD. INDI. 80x180 ENG	1
003	02.00777.12	PLATE AD. INDI (ENGLISH)	1
003	02.00777.12	PLATE AD. INDI (ENGLISH)	1
003	02.00777.12	PLATE AD. INDI (ENGLISH)	1
004	55.00780.01	STICKER 60x100 BRAKE	1
004	55.00780.01	STICKER 60x100 BRAKE	1
004	55.00780.01	STICKER 60x100 BRAKE	1
005	02.00765.00	INDICATIVE STICKER 40x80 HOT PARTS	1
005	02.00765.00	INDICATIVE STICKER 40x80 HOT PARTS	1
005	02.00765.00	INDICATIVE STICKER 40x80 HOT PARTS	1
006	02.00766.11	INDICATIVE STICKER 40X80 DO NOT TOUCH	1
006	02.00766.11	INDICATIVE STICKER 40X80 DO NOT TOUCH	1
006	02.00766.11	INDICATIVE STICKER 40X80 DO NOT TOUCH	1

12. FINISHES

FINISHED UK

FIGURE	REFERENCE	DENOMINATION	AMOUNT
007	01.00779.61	PLATE - CONTACT WITH AUSA	1
007	01.00779.61	PLATE - CONTACT WITH AUSA	1
007	01.00779.61	PLATE - CONTACT WITH AUSA	1

12. FINISHES FINISHED GERMANY



FIGURE	REFERENCE	DENOMINATION	AMOUNT
001	14.00775.00	PLATE AD. INDI	1
001	14.00775.00	PLATE AD. INDI	1
001	14.00775.00	PLATE AD. INDI	1
002	02.00773.00	PLATE AD. INDI ALEMAN	1
002	02.00773.00	PLATE AD. INDI ALEMAN	1
002	02.00773.00	PLATE AD. INDI ALEMAN	1
003	02.00779.02	PLATE AD. INDI	1
003	02.00779.02	PLATE AD. INDI	1
003	02.00779.02	PLATE AD. INDI	1
004	55.00780.01	STICKER 60x100 BRAKE	1
004	55.00780.01	STICKER 60x100 BRAKE	1
004	55.00780.01	STICKER 60x100 BRAKE	1
005	02.00764.02	PLATE AD. INDI	1
005	02.00764.02	PLATE AD. INDI	1
005	02.00764.02	PLATE AD. INDI	1
006	02.00766.03	ADHESIVE 40X80 GERMAN	1
006	02.00766.03	ADHESIVE 40X80 GERMAN	1
006	02.00766.03	ADHESIVE 40X80 GERMAN	1

12. FINISHES

FINISHED GERMANY

FIGURE	REFERENCE	DENOMINATION	AMOUNT
007	01.00779.61	PLATE - CONTACT WITH AUSA	1
007	01.00779.61	PLATE - CONTACT WITH AUSA	1
007	01.00779.61	PLATE - CONTACT WITH AUSA	1

12. FINISHES

FINISHED FRANCE

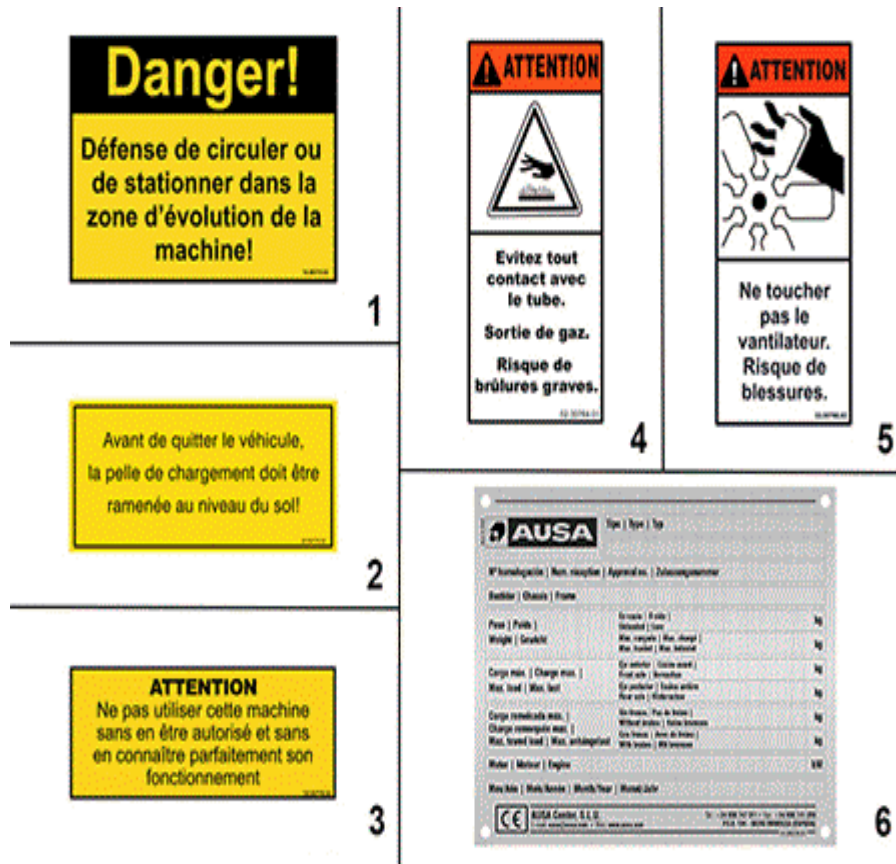


FIGURE	REFERENCE	DENOMINATION	AMOUNT
001	14.00775.02	PLATE AD. INDI	1
001	14.00775.02	PLATE AD. INDI	1
001	14.00775.02	PLATE AD. INDI	1
002	02.00773.02	PLATE AD. INDI	1
002	02.00773.02	PLATE AD. INDI	1
002	02.00773.02	PLATE AD. INDI	1
003	02.00778.00	PLATE AD. INDI	1
003	02.00778.00	PLATE AD. INDI	1
003	02.00778.00	PLATE AD. INDI	1
004	02.00764.01	PLATE AD. INDI	1
004	02.00764.01	PLATE AD. INDI	1
004	02.00764.01	PLATE AD. INDI	1
005	02.00766.02	ADHESIVE 40X80 FRENCH	1
005	02.00766.02	ADHESIVE 40X80 FRENCH	1
005	02.00766.02	ADHESIVE 40X80 FRENCH	1

12. FINISHES

FINISHED POLAND



FIGURE	REFERENCE	DENOMINATION	AMOUNT
001	02.00773.07	PLATE (POLISH)	1
001	02.00773.07	PLATE (POLISH)	1
001	02.00773.07	PLATE (POLISH)	1
002	55.00780.06	AD. INDI. PLATE 60X100 POLSKI	1
002	55.00780.06	AD. INDI. PLATE 60X100 POLSKI	1
002	55.00780.06	AD. INDI. PLATE 60X100 POLSKI	1
003	02.00765.02	ADH. PLATE 40X80	1
003	02.00765.02	ADH. PLATE 40X80	1
003	02.00765.02	ADH. PLATE 40X80	1
004	02.00774.03	AD. INDI. PLATE 50X120 PL.	1
004	02.00774.03	AD. INDI. PLATE 50X120 PL.	1
004	02.00774.03	AD. INDI. PLATE 50X120 PL.	1
005	43.01170.04	AD. INDI. PLATE 90X45 POLSKI	1
005	43.01170.04	AD. INDI. PLATE 90X45 POLSKI	1
005	43.01170.04	AD. INDI. PLATE 90X45 POLSKI	1
006	14.00775.06		1
006	14.00775.06		1
006	14.00775.06		1

12. FINISHES

FINISHED POLAND

FIGURE	REFERENCE	DENOMINATION	AMOUNT
007	01.00779.22	PLATE - CONTACT WITH AUSA	1
007	01.00779.22	PLATE - CONTACT WITH AUSA	1
007	01.00779.22	PLATE - CONTACT WITH AUSA	1

12. FINISHES ITALY STIKERS



FIGURE	REFERENCE	DENOMINATION	AMOUNT
001	02.00773.05	PLATE AD. INDI 80X180 ITALIAN	1
001	02.00773.05	PLATE AD. INDI 80X180 ITALIAN	1
001	02.00773.05	PLATE AD. INDI 80X180 ITALIAN	1
002	14.00775.05	PLATE AD. INDI ITALIANO	1
002	14.00775.05	PLATE AD. INDI ITALIANO	1
002	14.00775.05	PLATE AD. INDI ITALIANO	1
003	55.00780.02	STICKER OIL BRAKE	1
003	55.00780.02	STICKER OIL BRAKE	1
003	55.00780.02	STICKER OIL BRAKE	1
004	02.00766.07	STICKER DONT TOUCH	1
004	02.00766.07	STICKER DONT TOUCH	1
004	02.00766.07	STICKER DONT TOUCH	1
005	02.00764.06	INDICATIVE PLATE WARNING)	1
005	02.00764.06	INDICATIVE PLATE WARNING)	1
005	02.00764.06	INDICATIVE PLATE WARNING)	1
006	01.00779.22	PLATE - CONTACT WITH AUSA	1
006	01.00779.22	PLATE - CONTACT WITH AUSA	1
006	01.00779.22	PLATE - CONTACT WITH AUSA	1

12. FINISHES

U.S.A STICKER (1)

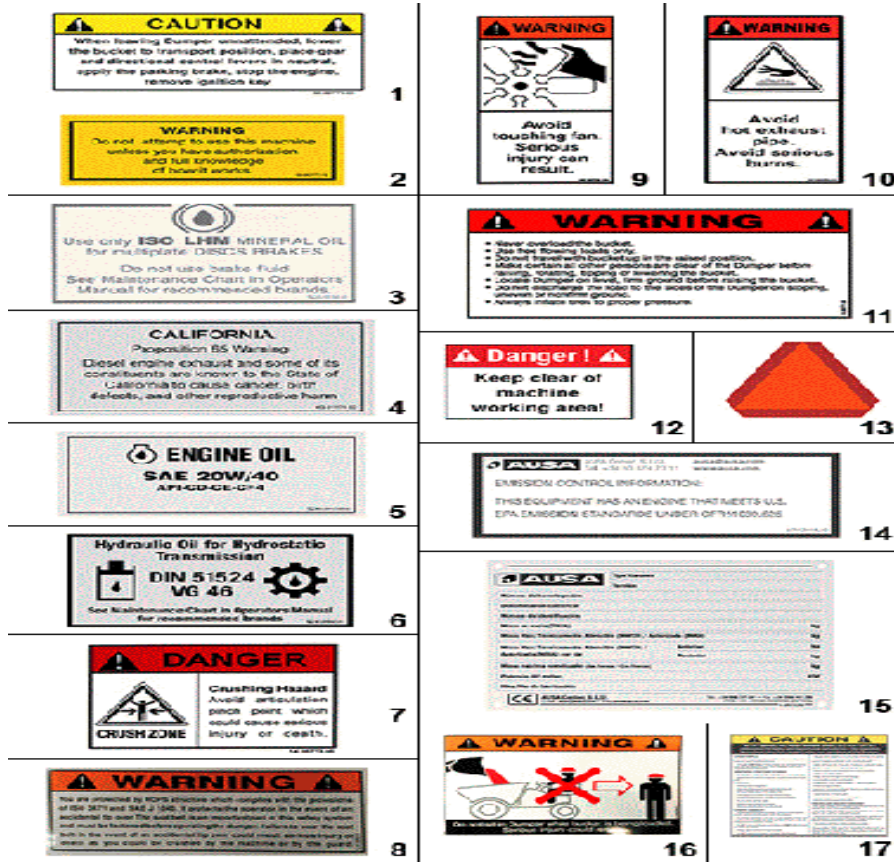


FIGURE	REFERENCE	DENOMINATION	AMOUNT
001	02.00773.03	PLATE AD. INDI. 80x180 ENG	1
001	02.00773.03	PLATE AD. INDI. 80x180 ENG	1
001	02.00773.03	PLATE AD. INDI. 80x180 ENG	1
002	02.00777.12	PLATE AD. INDI (ENGLISH)	1
002	02.00777.12	PLATE AD. INDI (ENGLISH)	1
002	02.00777.12	PLATE AD. INDI (ENGLISH)	1
003	55.00780.03	STICKER OIL BRAKE	1
003	55.00780.03	STICKER OIL BRAKE	1
003	55.00780.03	STICKER OIL BRAKE	1
004	43.01171.00	INDICATIVE STICKER 42x77 CALIFORNIA INDICATION (USA)	1
004	43.01171.00	INDICATIVE STICKER 42x77 CALIFORNIA INDICATION (USA)	1
004	43.01171.00	INDICATIVE STICKER 42x77 CALIFORNIA INDICATION (USA)	1
005	43.01170.03	INDICATIVE STICKER 90x45 ENGINE OIL TYPE	1
005	43.01170.03	INDICATIVE STICKER 90x45 ENGINE OIL TYPE	1
005	43.01170.03	INDICATIVE STICKER 90x45 ENGINE OIL TYPE	1
006	60.01352.01	INDICATIVE STICKER OIL 70x32 HYDRAULIC OIL TYPE (USA)	1
006	60.01352.01	INDICATIVE STICKER OIL 70x32 HYDRAULIC OIL TYPE (USA)	1
006	60.01352.01	INDICATIVE STICKER OIL 70x32 HYDRAULIC OIL TYPE (USA)	1

12. FINISHES

U.S.A STICKER (1)

FIGURE	REFERENCE	DENOMINATION	AMOUNT
007	14.00773.00	PLATE AD. INDI 75X80 DANGER	1
007	14.00773.00	PLATE AD. INDI 75X80 DANGER	1
007	14.00773.00	PLATE AD. INDI 75X80 DANGER	1
008	01.08262.00	PLATE AD. INDI WARNING	1
008	01.08262.00	PLATE AD. INDI WARNING	1
008	01.08262.00	PLATE AD. INDI WARNING	1
009	02.00766.11	INDICATIVE STICKER 40X80 DO NOT TOUCH	1
009	02.00766.11	INDICATIVE STICKER 40X80 DO NOT TOUCH	1
009	02.00766.11	INDICATIVE STICKER 40X80 DO NOT TOUCH	1
010	02.00765.00	INDICATIVE STICKER 40x80 HOT PARTS	1
010	02.00765.00	INDICATIVE STICKER 40x80 HOT PARTS	1
010	02.00765.00	INDICATIVE STICKER 40x80 HOT PARTS	1
011	14.00771.00	PLATE AD. INDI 75X150	1
011	14.00771.00	PLATE AD. INDI 75X150	1
011	14.00771.00	PLATE AD. INDI 75X150	1
012	14.00775.03	PLATE AD. INDI	1
012	14.00775.03	PLATE AD. INDI	1
012	14.00775.03	PLATE AD. INDI	1
013	10.15120.00	INDICATIVE STICKER 350x400 REFLECTIVE TRIANGLE WITH PLATE	1
013	10.15120.00	INDICATIVE STICKER 350x400 REFLECTIVE TRIANGLE WITH PLATE	1
013	10.15120.00	INDICATIVE STICKER 350x400 REFLECTIVE TRIANGLE WITH PLATE	1
014	57.12018.00	STICKER 0.3X40X100 EPA	1
014	57.12018.00	STICKER 0.3X40X100 EPA	1
014	57.12018.00	STICKER 0.3X40X100 EPA	1
015	01.00779.60	INDI. PLATE 130X100 STANDARD	1
015	01.00779.60	INDI. PLATE 130X100 STANDARD	1
015	01.00779.60	INDI. PLATE 130X100 STANDARD	1
016	09.00769.01	PLATE AD. INDI 110X140	1
016	09.00769.01	PLATE AD. INDI 110X140	1
016	09.00769.01	PLATE AD. INDI 110X140	1
017	02.00777.02	PLATE AD. INDI. USA 216X250	1
017	02.00777.02	PLATE AD. INDI. USA 216X250	1
017	02.00777.02	PLATE AD. INDI. USA 216X250	1

12. FINISHES

FINISHED NORDIC COUNTRIES



1



2

FIGURE	REFERENCE	DENOMINATION	AMOUNT
001	43.01172.00	PLATE AD. INDI. 92X46	1
001	43.01172.00	PLATE AD. INDI. 92X46	1
001	43.01172.00	PLATE AD. INDI. 92X46	1
002	43.01352.30	PLATE AD. INDI. 92X46	1
002	43.01352.30	PLATE AD. INDI. 92X46	1
002	43.01352.30	PLATE AD. INDI. 92X46	1

12. FINISHES

STICKER FRANCE

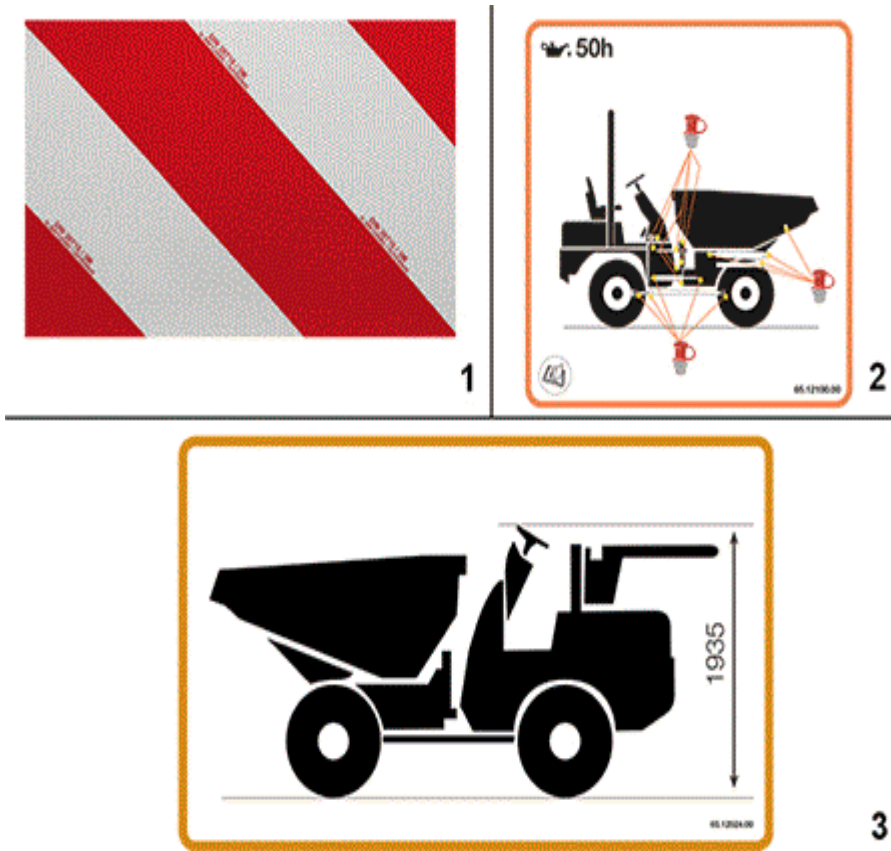


FIGURE	REFERENCE	DENOMINATION	AMOUNT
001	465.14017.00	REFLECTIVE STICKER 140MM	1
001	465.14017.00	REFLECTIVE STICKER 140MM	1
001	465.14017.00	REFLECTIVE STICKER 140MM	1
002	43.01352.30	PLATE AD. INDI. 92X46	1
002	43.01352.30	PLATE AD. INDI. 92X46	1
002	43.01352.30	PLATE AD. INDI. 92X46	1
003	65.12024.00	TRANSPORT HEIGHT STICKER	1
003	65.12024.00	TRANSPORT HEIGHT STICKER	1
003	65.12024.00	TRANSPORT HEIGHT STICKER	1

12. FINISHES

STICKER KILOTOU FRANCE



FIGURE	REFERENCE	DENOMINATION	AMOUNT
001	65.12102.00	STICKER ARCH FOLDED POSITION	1
001	65.12102.00	STICKER ARCH FOLDED POSITION	1
001	65.12102.00	STICKER ARCH FOLDED POSITION	1
002	70.12120.00	STICKER LIFT POINT	1
002	70.12120.00	STICKER LIFT POINT	1
002	70.12120.00	STICKER LIFT POINT	1
003	65.12104.00	STICKER ENGINE SHUTDOWN	1
003	65.12104.00	STICKER ENGINE SHUTDOWN	1
003	65.12104.00	STICKER ENGINE SHUTDOWN	1
004	65.12103.00	STICKER DISCONNECT	1
004	65.12103.00	STICKER DISCONNECT	1
004	65.12103.00	STICKER DISCONNECT	1
005	65.12106.00	STICKER 3500KG MAX	1
005	65.12106.00	STICKER 3500KG MAX	1
005	65.12106.00	STICKER 3500KG MAX	1
006	46.11720.00	STICKER 25KM/H	1
006	46.11720.00	STICKER 25KM/H	1
006	46.11720.00	STICKER 25KM/H	1

12. FINISHES

TOOLS BAG

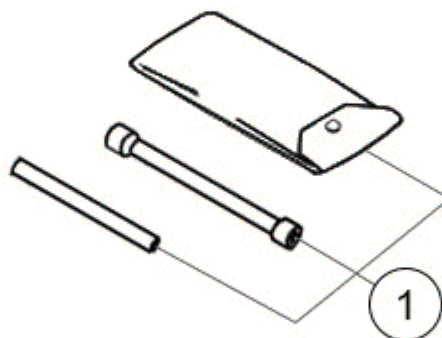


FIGURE	REFERENCE	DENOMINATION	AMOUNT
001	01.00036.02	TOOLS-BAG	1
001	01.00036.02	TOOLS-BAG	1
001	01.00036.02	TOOLS-BAG	1

13. ACCESSORIES

REAR MUD GUARD C/LIGHTS

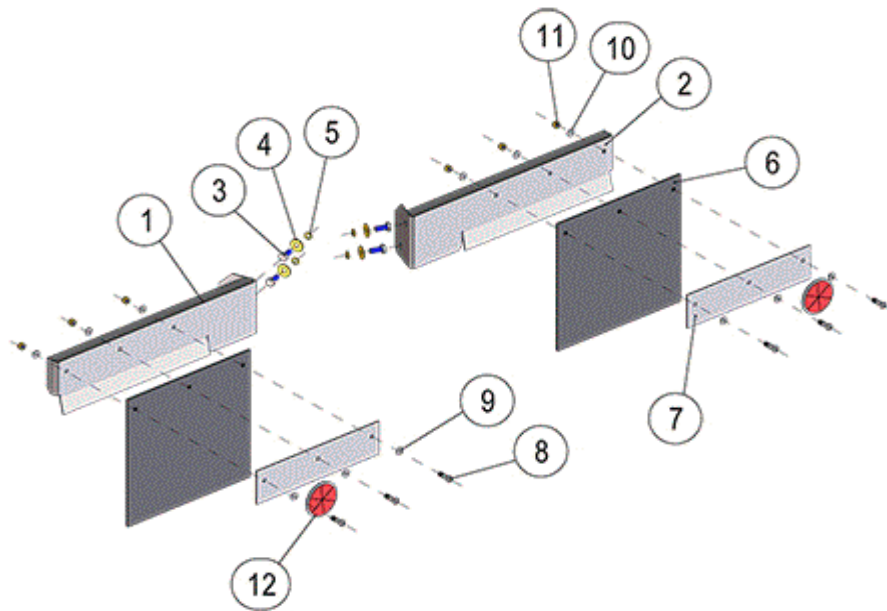


FIGURE	REFERENCE	DENOMINATION	AMOUNT
001	65.01300.00	LEFT FIXING SUPPORT MUD GUARD	1
001	65.01300.00	LEFT FIXING SUPPORT MUD GUARD	1
001	65.01300.00	LEFT FIXING SUPPORT MUD GUARD	1
002	65.01301.00	RIGHT FIXING SUPPORT MUD GUARD	1
002	65.01301.00	RIGHT FIXING SUPPORT MUD GUARD	1
002	65.01301.00	RIGHT FIXING SUPPORT MUD GUARD	1
003	603.10025.86	SCREW DIN933 M10x25	4
003	603.10025.86	SCREW DIN933 M10x25	4
003	603.10025.86	SCREW DIN933 M10x25	4
004	112.10000.66	WASHER DIN9021 D10	4
004	112.10000.66	WASHER DIN9021 D10	4
004	112.10000.66	WASHER DIN9021 D10	4
005	104.10000.00	WASHER DIN7980 D10	4
005	104.10000.00	WASHER DIN7980 D10	4
005	104.10000.00	WASHER DIN7980 D10	4
006	65.01315.00	REAR MUD GUARD C/LIGHTS	2
006	65.01315.00	REAR MUD GUARD C/LIGHTS	2
006	65.01315.00	REAR MUD GUARD C/LIGHTS	2

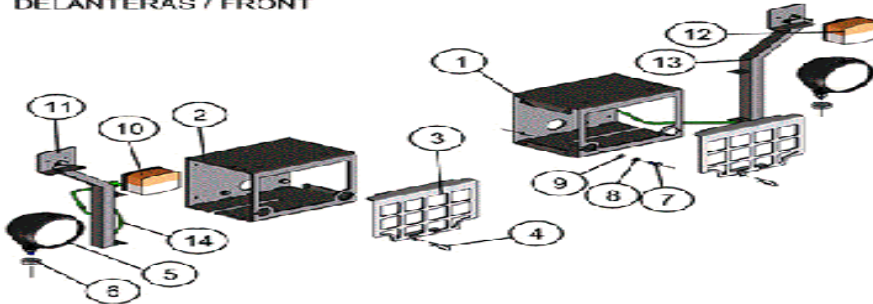
13. ACCESSORIES

REAR MUD GUARD C/LIGHTS

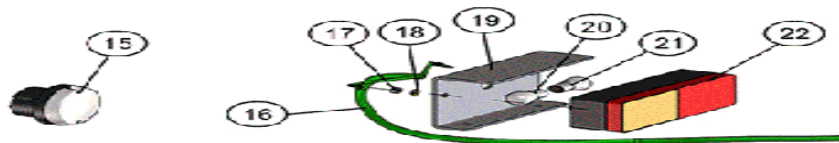
FIGURE	REFERENCE	DENOMINATION	AMOUNT
007	65.01310.00	SUPPORT 4X80X330	2
007	65.01310.00	SUPPORT 4X80X330	2
007	65.01310.00	SUPPORT 4X80X330	2
008	630.08030.96	BOLT ISO7380 M8x30	6
008	630.08030.96	BOLT ISO7380 M8x30	6
008	630.08030.96	BOLT ISO7380 M8x30	6
009	101.08000.66	WASHER DIN125 D8	6
009	101.08000.66	WASHER DIN125 D8	6
009	101.08000.66	WASHER DIN125 D8	6
010	101.08000.66	WASHER DIN125 D8	6
010	101.08000.66	WASHER DIN125 D8	6
010	101.08000.66	WASHER DIN125 D8	6
011	711.08000.66	NUT DIN982 M8	6
011	711.08000.66	NUT DIN982 M8	6
011	711.08000.66	NUT DIN982 M8	6
012	10.11017.00	RED REFLECTOR	2
012	10.11017.00	RED REFLECTOR	2
012	10.11017.00	RED REFLECTOR	2

13. ACCESSORIES LIGHTS

DELANTERAS / FRONT



TRASERAS / REAR



COMANDOS / CONTROLS

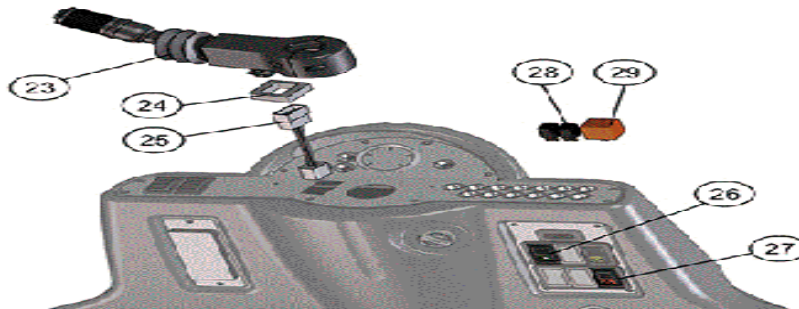


FIGURE	REFERENCE	DENOMINATION	AMOUNT
001	64.11111.03		1
001	64.11111.03		1
001	64.11111.03		1
002	64.11112.03		1
002	64.11112.03		1
002	64.11112.03		1
003	64.11138.00	LIGHT PROTECTOR	2
003	64.11138.00	LIGHT PROTECTOR	2
003	64.11138.00	LIGHT PROTECTOR	2
004	15.00836.01	PIN DIN11024	2
004	15.00836.01	PIN DIN11024	2
004	15.00836.01	PIN DIN11024	2
005	66.11132.00	FRONTAL LIGHT LEFT AND RIGHT	2
005	66.11132.00	FRONTAL LIGHT LEFT AND RIGHT	2
005	66.11132.00	FRONTAL LIGHT LEFT AND RIGHT	2
006	67.11008.00	FRONT LIGHT SUPPORT	2
006	67.11008.00	FRONT LIGHT SUPPORT	2
006	67.11008.00	FRONT LIGHT SUPPORT	2

13. ACCESSORIES

LIGHTS

FIGURE	REFERENCE	DENOMINATION	AMOUNT
007	603.08020.86	SCREW DIN933 M8x20	8
007	603.08020.86	SCREW DIN933 M8x20	8
007	603.08020.86	SCREW DIN933 M8x20	8
008	104.08000.00	WASHER DIN7980 D8	8
008	104.08000.00	WASHER DIN7980 D8	8
008	104.08000.00	WASHER DIN7980 D8	8
009	101.08000.66	WASHER DIN125 D8	8
009	101.08000.66	WASHER DIN125 D8	8
009	101.08000.66	WASHER DIN125 D8	8
010	65.11111.00	RIGHT LANTERN	1
010	65.11111.00	RIGHT LANTERN	1
010	65.11111.00	RIGHT LANTERN	1
011	65.11101.00	RIGHT LIGHT SUPPORT	1
011	65.11101.00	RIGHT LIGHT SUPPORT	1
011	65.11101.00	RIGHT LIGHT SUPPORT	1
012	65.11110.00	LEFT LANTERN	1
012	65.11110.00	LEFT LANTERN	1
012	65.11110.00	LEFT LANTERN	1
013	65.11102.00	LEFT LIGHT SUPPORT	1
013	65.11102.00	LEFT LIGHT SUPPORT	1
013	65.11102.00	LEFT LIGHT SUPPORT	1
014	67.11004.00		1
014	67.11004.00		1
014	67.11004.00		1
015	66.11127.00	LIGHT REVERSE LED	1
015	66.11127.00	LIGHT REVERSE LED	1
015	66.11127.00	LIGHT REVERSE LED	1
016	67.11003.00		1
016	67.11003.00		1
016	67.11003.00		1
017	701.06000.66	NUT DIN934 M6X1	2
017	701.06000.66	NUT DIN934 M6X1	2
017	701.06000.66	NUT DIN934 M6X1	2
018	104.06000.00	WASHER DIN7980 D6	2
018	104.06000.00	WASHER DIN7980 D6	2
018	104.06000.00	WASHER DIN7980 D6	2

13. ACCESSORIES

LIGHTS

FIGURE	REFERENCE	DENOMINATION	AMOUNT
019	65.11103.01	BACK LIGHT SUPPORT	2
019	65.11103.01	BACK LIGHT SUPPORT	2
019	65.11103.01	BACK LIGHT SUPPORT	2
020	31.01329.00	LAMP 12V 21W	2
020	31.01329.00	LAMP 12V 21W	2
020	31.01329.00	LAMP 12V 21W	2
021	31.01331.00	LAMP 12V 21W/5W	2
021	31.01331.00	LAMP 12V 21W/5W	2
021	31.01331.00	LAMP 12V 21W/5W	2
022	54.01327.00	PILOT	2
022	54.01327.00	PILOT	2
022	54.01327.00	PILOT	2
023	70.11323.01	LIGHTS LEVER SWITCH	1
023	70.11323.01	LIGHTS LEVER SWITCH	1
023	70.11323.01	LIGHTS LEVER SWITCH	1
024	70.11025.00	ADHESIVE FOAM SEALER	1
024	70.11025.00	ADHESIVE FOAM SEALER	1
024	70.11025.00	ADHESIVE FOAM SEALER	1
025	70.11343.00	SECTION I / E ADAPTER LEVER	1
025	70.11343.00	SECTION I / E ADAPTER LEVER	1
025	70.11343.00	SECTION I / E ADAPTER LEVER	1
025	70.11343.00	SECTION I / E ADAPTER LEVER	1
025	70.11343.00	SECTION I / E ADAPTER LEVER	1
025	70.11343.00	SECTION I / E ADAPTER LEVER	1
025	70.11343.00	SECTION I / E ADAPTER LEVER	1
025	70.11343.00	SECTION I / E ADAPTER LEVER	1
025	70.11343.00	SECTION I / E ADAPTER LEVER	1
025	70.11343.00	SECTION I / E ADAPTER LEVER	1
026	IM.20016.00	WORKING LIGHT SWITCH	1
026	IM.20016.00	WORKING LIGHT SWITCH	1
026	IM.20016.00	WORKING LIGHT SWITCH	1
027	12.11050.00	TULIPA INTERRUPTOR WARNING	1
027	12.11050.00	TULIPA INTERRUPTOR WARNING	1
027	12.11050.00	TULIPA INTERRUPTOR WARNING	1
028	IM.20026.03	MICRO RELAY WITH DIODE	2
028	IM.20026.03	MICRO RELAY WITH DIODE	2
028	IM.20026.03	MICRO RELAY WITH DIODE	2

13. ACCESSORIES

LIGHTS

FIGURE	REFERENCE	DENOMINATION	AMOUNT
029	IM.20025.00	INTERMITTENCE BOX	1
029	IM.20025.00	INTERMITTENCE BOX	1
029	IM.20025.00	INTERMITTENCE BOX	1

13. ACCESSORIES

NUMBER PLATE LAMP

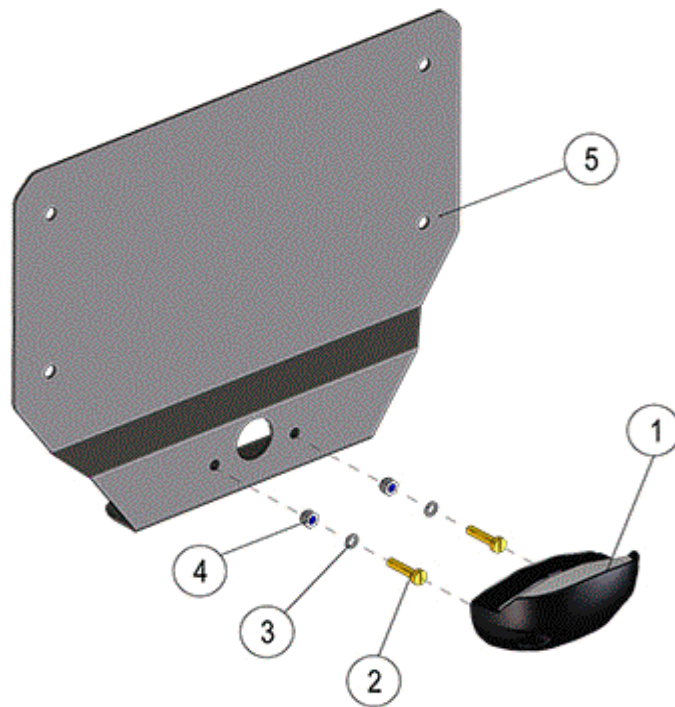


FIGURE	REFERENCE	DENOMINATION	AMOUNT
001	66.11128.00	LED NUMBER PLATE	1
001	66.11128.00	LED NUMBER PLATE	1
001	66.11128.00	LED NUMBER PLATE	1
002	615.04020.66	SCREW DIN84	2
002	615.04020.66	SCREW DIN84	2
002	615.04020.66	SCREW DIN84	2
003	101.04000.66	WASHER DIN125 D4	2
003	101.04000.66	WASHER DIN125 D4	2
003	101.04000.66	WASHER DIN125 D4	2
003	101.04000.66	WASHER DIN125 D4	2
003	101.04000.66	WASHER DIN125 D4	2
003	101.04000.66	WASHER DIN125 D4	2
003	101.04000.66	WASHER DIN125 D4	2
003	101.04000.66	WASHER DIN125 D4	2
003	101.04000.66	WASHER DIN125 D4	2
003	101.04000.66	WASHER DIN125 D4	2
004	711.04000.66	NUT	2
004	711.04000.66	NUT	2
004	711.04000.66	NUT	2

13. ACCESSORIES

NUMBER PLATE LAMP

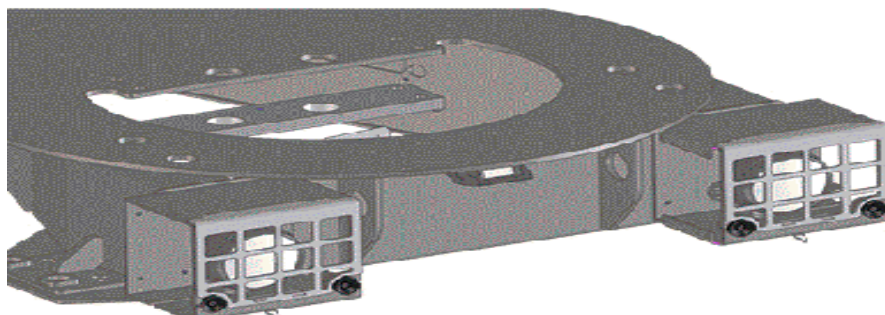
FIGURE	REFERENCE	DENOMINATION	AMOUNT
005	66.13300.00	NUMBER PLATE SUPPORT 250x196x30x1.5 (7022)	1
005	66.13300.00	NUMBER PLATE SUPPORT 250x196x30x1.5 (7022)	1
005	66.13300.00	NUMBER PLATE SUPPORT 250x196x30x1.5 (7022)	1

13. ACCESSORIES

SENSORS PROXIMITY

① KIT SENSORES DE PROXIMIDAD / PROXIMITY SENSORS KIT

VISTA FRONTAL / FRONT VIEW



VISTA TRASERA / REAR VIEW

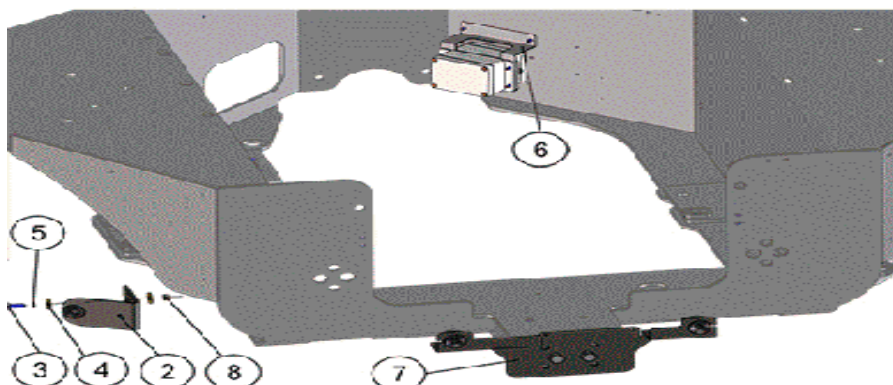


FIGURE	REFERENCE	DENOMINATION	AMOUNT
001	64.13001.00	PROXIMITY SENSORS KIT	1
001	64.13001.00	PROXIMITY SENSORS KIT	1
001	64.13001.00	PROXIMITY SENSORS KIT	1
002	64.13101.00	SENSOR SUPPORT	2
002	64.13101.00	SENSOR SUPPORT	2
002	64.13101.00	SENSOR SUPPORT	2
003	603.10025.86	SCREW DIN933 M10x25	2
003	603.10025.86	SCREW DIN933 M10x25	2
003	603.10025.86	SCREW DIN933 M10x25	2
004	112.10000.66	WASHER DIN9021 D10	4
004	112.10000.66	WASHER DIN9021 D10	4
004	112.10000.66	WASHER DIN9021 D10	4
005	104.10000.00	WASHER DIN7980 D10	4
005	104.10000.00	WASHER DIN7980 D10	4
005	104.10000.00	WASHER DIN7980 D10	4
006	64.13103.00	SUPPORT	1
006	64.13103.00	SUPPORT	1
006	64.13103.00	SUPPORT	1

13. ACCESSORIES

SENSORS PROXIMITY

FIGURE	REFERENCE	DENOMINATION	AMOUNT
007	64.13105.00		1
007	64.13105.00		1
007	64.13105.00		1
008	701.10000.66	NUT DIN934 M10x1.5	2
008	701.10000.66	NUT DIN934 M10x1.5	2
008	701.10000.66	NUT DIN934 M10x1.5	2

13. ACCESSORIES VISION CAMERA FVS

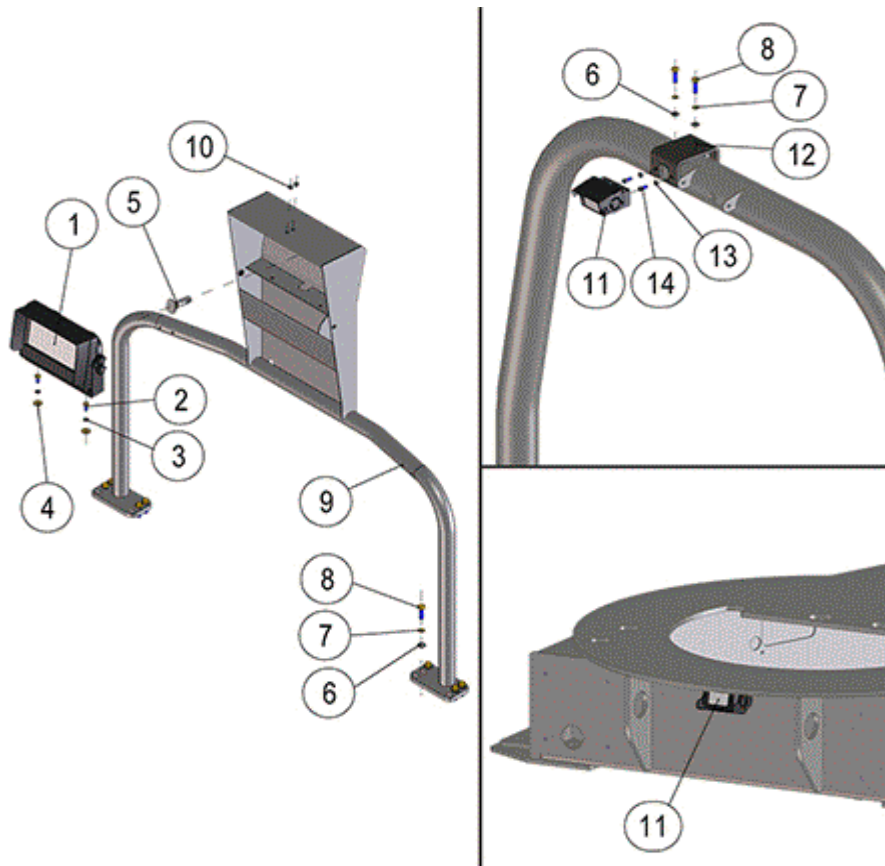


FIGURE	REFERENCE	DENOMINATION	AMOUNT
001	64.11051.00	DISPLAY COLOR TFT LCD 7	1
001	64.11051.00	DISPLAY COLOR TFT LCD 7	1
001	64.11051.00	DISPLAY COLOR TFT LCD 7	1
002	603.06015.86	SCREW DIN933 M6x15	2
002	603.06015.86	SCREW DIN933 M6x15	2
002	603.06015.86	SCREW DIN933 M6x15	2
003	104.06000.00	WASHER DIN7980 D6	2
003	104.06000.00	WASHER DIN7980 D6	2
003	104.06000.00	WASHER DIN7980 D6	2
004	112.06000.66	WASHER DIN9021 D6	2
004	112.06000.66	WASHER DIN9021 D6	2
004	112.06000.66	WASHER DIN9021 D6	2
005	64.04454.00	FIXATION SUPPORT	1
005	64.04454.00	FIXATION SUPPORT	1
005	64.04454.00	FIXATION SUPPORT	1
006	101.08000.66	WASHER DIN125 D8	10
006	101.08000.66	WASHER DIN125 D8	10
006	101.08000.66	WASHER DIN125 D8	10

13. ACCESSORIES

VISION CAMERA FVS

FIGURE	REFERENCE	DENOMINATION	AMOUNT
007	104.08000.00	WASHER DIN7980 D8	10
007	104.08000.00	WASHER DIN7980 D8	10
007	104.08000.00	WASHER DIN7980 D8	10
008	603.08030.86	SCREW DIN933 M8X30	10
008	603.08030.86	SCREW DIN933 M8X30	10
008	603.08030.86	SCREW DIN933 M8X30	10
009	64.04448.01	FIXING SUPPORT DISPLAY UNIFICAD	1
009	64.04448.01	FIXING SUPPORT DISPLAY UNIFICAD	1
009	64.04448.01	FIXING SUPPORT DISPLAY UNIFICAD	1
010	48.08229.00	CAP PLASTIC	2
010	48.08229.00	CAP PLASTIC	2
010	48.08229.00	CAP PLASTIC	2
011	64.11052.00	VISION CAMERA 72X87X75MM	2
011	64.11052.00	VISION CAMERA 72X87X75MM	2
011	64.11052.00	VISION CAMERA 72X87X75MM	2
012	64.04457.00	CAMERA ATTACHMENT SUPPORT	2
012	64.04457.00	CAMERA ATTACHMENT SUPPORT	2
012	64.04457.00	CAMERA ATTACHMENT SUPPORT	2
013	101.06000.66	WASHER DIN125 D6	4
013	101.06000.66	WASHER DIN125 D6	4
013	101.06000.66	WASHER DIN125 D6	4
014	601.06015.86	SCREW DIN912	2
014	601.06015.86	SCREW DIN912	2
014	601.06015.86	SCREW DIN912	2

13. ACCESSORIES

CYCLONIC FILTER

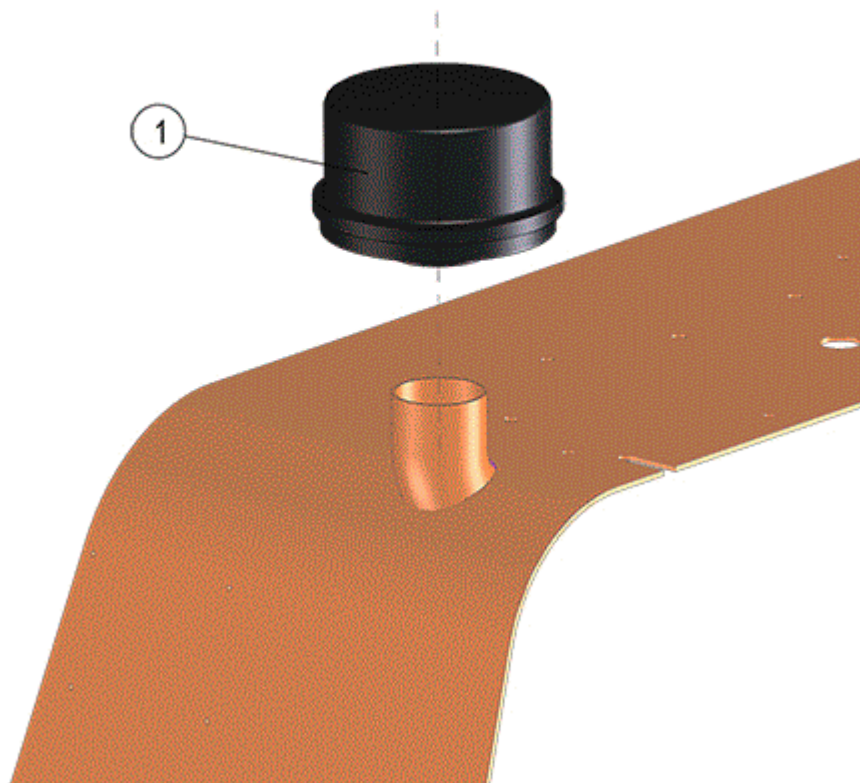


FIGURE	REFERENCE	DENOMINATION	AMOUNT
001	67.02309.00	CYCLONE PREFILTER	1

13. ACCESSORIES

TOW HOOK

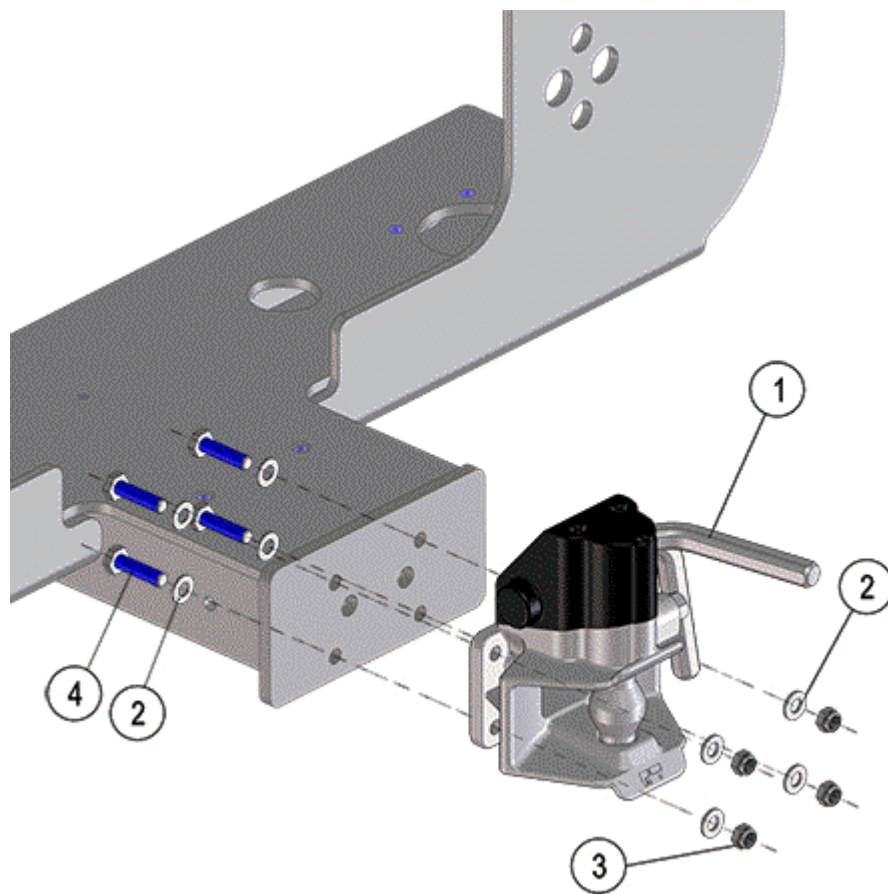


FIGURE	REFERENCE	DENOMINATION	AMOUNT
001	46.09645.00	TRAILER HITCH	1
002	101.10000.66	WASHER DIN125 D10	8
003	711.10000.66	SHOCK ABSORBER	4
004	603.10040.86	BOLT DIN933 M10x40	4

13. ACCESSORIES

EMERGENCY STOP

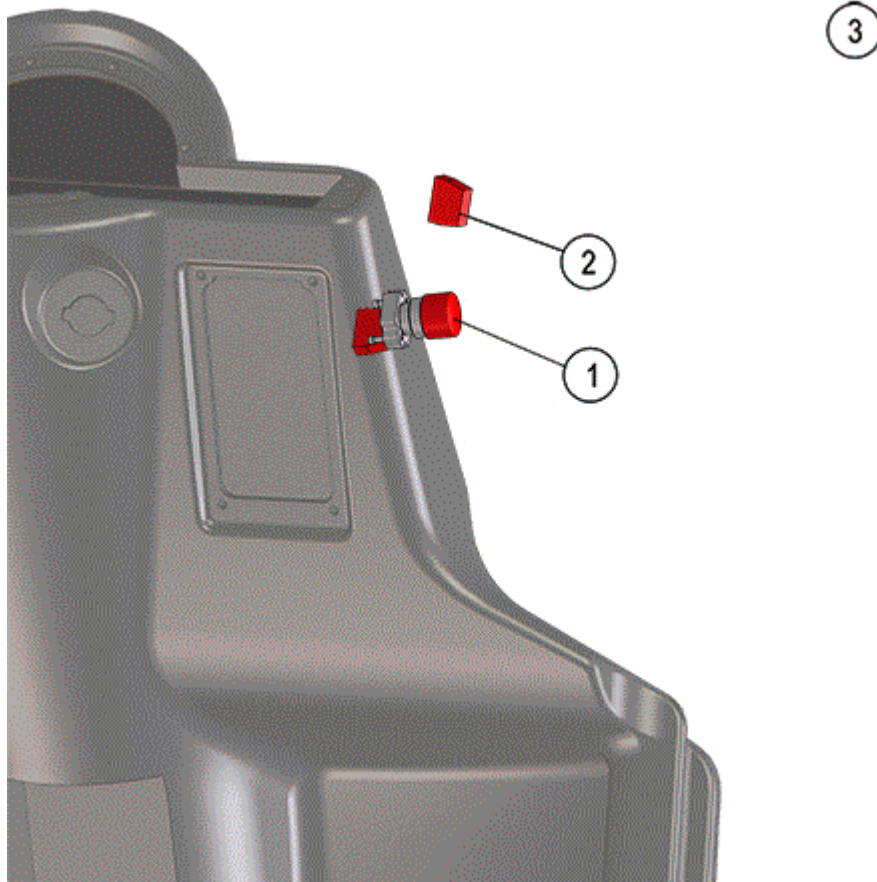


FIGURE	REFERENCE	DENOMINATION	AMOUNT
001	48.11590.00	SWITCH EMERGENCY 1 CONTONTACTOR NC	1
002	48.11590.01	NC CONTACTOR FOR EMERGENCY STOP	1
003	12.11064.00	ELECTRIC PART OF THE EMERGENCY STOP	1

INDEX

00. MAINTENANCE

Filters kit 2

02. ENGINE

Kubota Engine 3

EXHAUST PIPE 4

INLET 5

Delivery 7

Radiator (Part 1) 12

Radiator (Part 2) 15

SUSPENSION 17

03. TRANSMISSION

Hydrostatic transmission 19

Hydrostatic engine 21

Cardan Joint 22

FRONT AXLE (1) 23

FRONT AXLE (2) 24

FRONT AXLE (3) 25

FRONT AXLE (4) 29

FRONT AXLE (5) 32

FRONT AXLE (6) 35

REAR AXLE (1) 37

REAR AXLE (2) 38

REAR AXLE (3) 39

REAR AXLE (4) 41

REAR AXLE (5) 44

04. CHASSIS

Chassis (Part 1) 47

Chassis (Part 2) 50

Chassis axle 52

05. BRAKE ACTIVATION

FOOT BRAKE 55

Tubes 59

Handbrake (Part 1) 60

Handbrake (Part 2) 62

06. STEERING

Steering (Part 1)	64
Steering (Part 2)	65

07. WHEELS

WHEELS	67
--------	----

08. BODYWORK

SHEETS (1)	68
SHEETS (2)	70
Cab	73
ROPS arch	75
Joystick lever	77
Seat	78
Counterweight	79

09. MACHINE FUNCTIONS

HOPPER (01)	81
-------------	----

09. MACHINE FUNCTIONS IMPLEMENTS

Rotating hopper support	82
-------------------------	----

10. HYDRAULIC INSTALLATION

Distributor	85
Hydraulic tank	86
Oil tank	88
Working	90
Transmission	94

11. ELECTRIC INSTALLATION

Rotating Beacon	97
BUZZERS	98
DASHBOARD	100
ELECTRICAL CONTROL SYSTEMS	103
Battery	106
Battery	108
WIRING HARNESS (PART 1)	110
WIRING HARNESS (PART 2)	111
WIRING HARNESS (PART 3)	112

12. FINISHES

STICKERS & PLATES (PART 1)	113
STICKERS & PLATES (PART 2)	115
Finished UK	116
Finished Germany	118
Finished France	120
Finished Poland	121
ITALY STICKERS	123
U.S.A STICKER (1)	124
FINISHED NORDIC COUNTRIES	126
STICKER FRANCE	127
STICKER KILOTOU FRANCE	128
Tools bag	129

13. ACCESSORIES

REAR MUD GUARD C/LIGHTS	130
LIGHTS	132
Number plate lamp	136
SENSORS PROXIMITY	138
VISION CAMERA FVS	140
CYCLONIC FILTER	142
Tow hook	143
EMERGENCY STOP	144